

Index

Metal Panels.....	PAN1
Plastic Ceilings & Walls.....	PCW1
Polycarbonate Skylights.....	SKY1
Asphalt Shingles.....	SHN1
House Wrap & Underlayment.....	HWU1
Lumber, Posts, & Trusses.....	LPT1
Trim Moulding.....	TRM1
Horse Stall Components.....	HSC1
Cupolas & Weathervanes.....	CUP1
Roll Track Sliding Doors.....	DRT1
Entry Doors.....	DRS1
Overhead Garage Doors.....	OHD1
Gutters & Accessories.....	GUT1
Decking & Railing.....	DCK1
Snow Retention Systems.....	SNW1
S-5! [®] Clamps.....	S5C1

Metal Panels

Metal Panels Index

ABM Panel - G100.....	PAN3	1 ¼" Corrugated	PAN6
ABM Panel - Texture	PAN3	2 ½" Corrugated	PAN6
ABSeam	PAN4	RainLock.....	PAN6
ABSeam - Texture	PAN4	Everdrain	PAN7
PBR Panel.....	PAN5	8" Double Rib.....	PAN7
A Panel	PAN5	9" Double Rib.....	PAN7
R Panel - Texture.....	PAN5	12" Double Rib	PAN7
5-V Crimp.....	PAN6	Copper Plus	PAN8

ABM Panel - G100

Acc

By far our most popular panel, the ABM Panel is an exposed fastener panel where the screws are visible. 36" wide coverage. Available in custom lengths up to 48 feet. Available in over 30 Energy Star qualifying colors.



EXTERIOR
Premium G-100

EXTERIOR
Standard Grade

INTERIOR
Economy Grade

PREMIUM GRADE G-100:

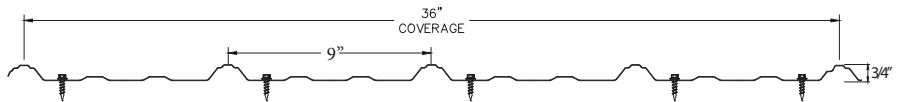
Heavy galvanized-coated 28 gauge steel with 40-year paint warranty and 10-year edge-rust warranty

STANDARD GRADE

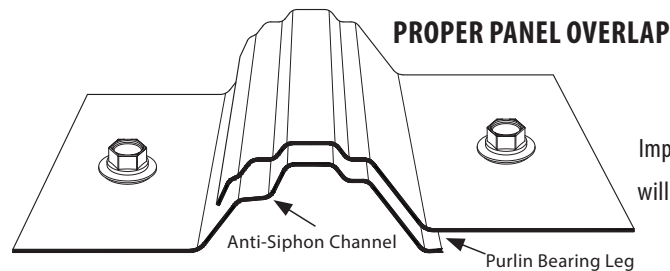
AZ50 Galvalume coated steel with 40-year paint warranty

ECONOMY GRADE

Paint-primed seconds with possible visual defects - no warranty

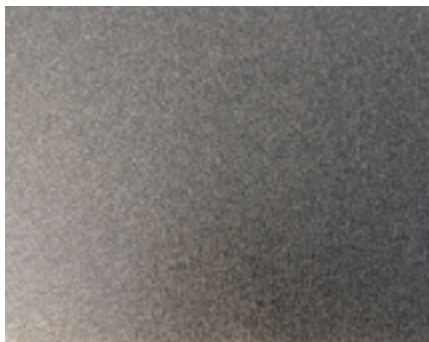


Approximately 3/4" high major ribs on 9" centers with two 1" wide minor between each. Overlap has an antisiphon break for leak free application above 3:12 pitch.



CAUTION!

Improper overlap installation will cause leaks and may void the panel warranty



ABM Panel - Texture

ATcc

The unique texture redirects light for enhanced visual depth, promising a step-change improvement over flat-panels' appearance.

For all its beauty, it features an enduring weatherability to resist fading and chalking.



ABSeam

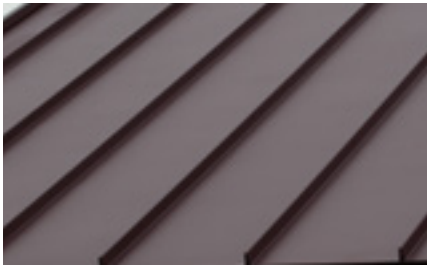
EScc

Our durable 24ga. ABSeam Panel is the ultimate choice for a beautiful, long-lasting standing-seam metal roof. Thanks to the ABSeam clip system, no screws or punctures are visible to the eye or exposed to the elements, preventing almost all opportunities for leaks. This panel is a popular choice with new construction and restoration projects nationwide.

23 Energy Star rated colors with 40-year paint warranties.

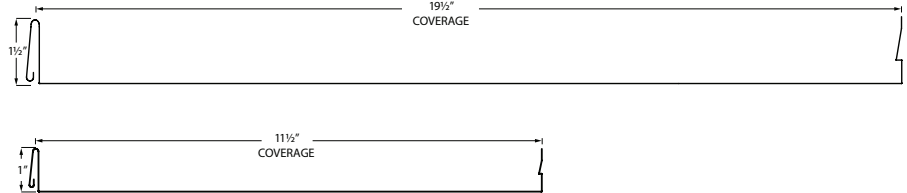
19.5" max coverage • 1.5" max rib height

(Can be customized down to 11.5" coverage • 1.5" or 1" rib height)



Why Fluropon®?

For over 50 years, finishes based on Fluropon® resin have helped protect commercial, industrial, and residential buildings around the world. No other coating system withstands the rigors of nature and time like those based on Fluropon® resins. This highperformance fluoropolymer resin, with its extraordinary capability to retain color and gloss, keeps painted metal looking vibrant and appealing for decades.



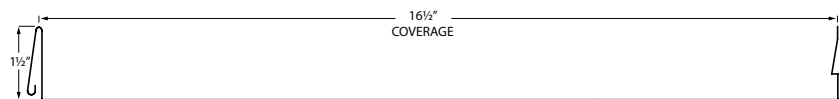
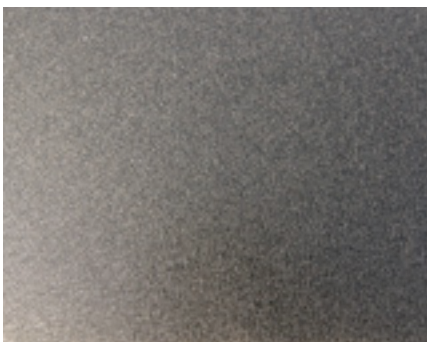
ABSeam - Texture

ESCFTcc

The unique texture redirects light for enhanced visual depth, promising a step-change improvement over flat-panels' appearance.

For all its beauty, it features an enduring weatherability to resist fading and chalking.

Standard: 16 1/2" Wide Coverage • 1 1/2" High Rib

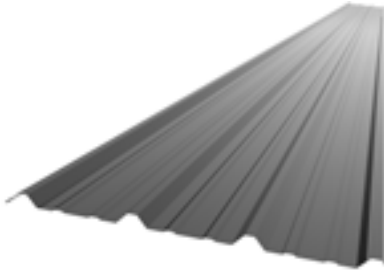


PBR Panel

PBRcc

The PBR panel performs superbly on roof pitches as low as 1:12 and on spans up to 4' for 26^{ga.}, up to 5' spans for 24^{ga.}. For roof applications, our PBR panel provides extra support at the lap. Sealant tape and stitch screws are required for improved leak resistance. PBR panel is used mostly for steel frame buildings but is also used on wood frame buildings.

Available in 18 Energy Star qualifying colors.



A Panel

PBRAcc

The A Panel is practically identical to the PBR panel, but in reverse. The paint is on the opposite side and is meant to be installed upside-down as it were. The A Panel is used more frequently as siding to commercial and industrial steel framed structures.

Available in 18 Energy Star qualifying colors.



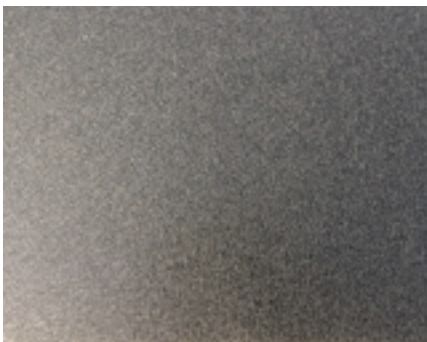
R Panel - Texture

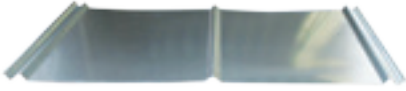
PRTcc

The R panel starts out approximately 1" narrower and does not have the extra purlin-bearing leg.

The unique texture redirects light for enhanced visual depth, promising a step-change improvement over flat-panels' appearance.

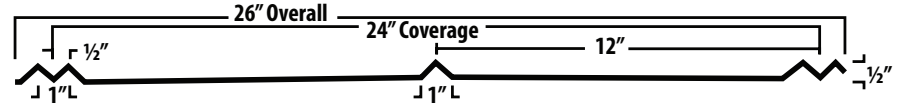
For all its beauty, it features an enduring weatherability to resist fading and chalking. Available in 18 Energy Star qualifying colors.



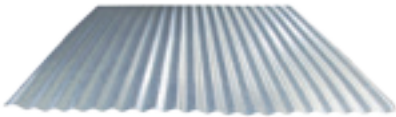


5-V Crimp

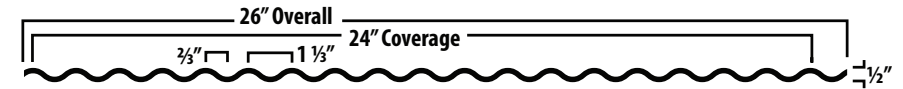
Part#	Description	Coverage	Length
FS5V8	Galvanized 5V Crimp (Spangle may vary)	24"	8'
FS5V10	Galvanized 5V Crimp (Spangle may vary)	24"	10'
FS5V12	Galvanized 5V Crimp (Spangle may vary)	24"	12'
FS5VC24	Painted 5V Crimp (Allow 2 Week Lead-times)	24"	



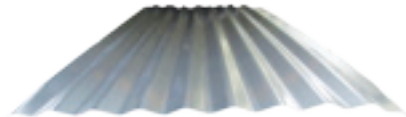
1 1/4" Corrugated



Part#	Description	Coverage	Length
FSC1258	1-1/4" Corrugated Galvanized Panel	24"	8'
FSC12510	1-1/4" Corrugated Galvanized Panel	24"	10'
FSC12512	1-1/4" Corrugated Galvanized Panel	24"	12'



2 1/2" Corrugated



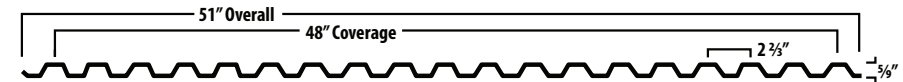
Part#	Description	Coverage	Length
FSC258	2-1/2" Corrugated Galvanized Panel	24"	8'
FSC2510	2-1/2" Corrugated Galvanized Panel	24"	10'
FSC2512	2-1/2" Corrugated Galvanized Panel	24"	12'



RainLock



Part#	Description	Coverage	Length
FSABOX8	.018 Aluminum Panels - 2.667" Center Rib - Flat Top/Btm	48"	8'
FSABOX10	.018 Aluminum Panels - 2.667" Center Rib - Flat Top/Btm	48"	10'
FSABOX12	.018 Aluminum Panels - 2.667" Center Rib - Flat Top/Btm	48"	12'
FSABOX14	.018 Aluminum Panels - 2.667" Center Rib - Flat Top/Btm	48"	14'
FSABOX16	.018 Aluminum Panels - 2.667" Center Rib - Flat Top/Btm	48"	16'



Everdrain

Special order colors are as follows:

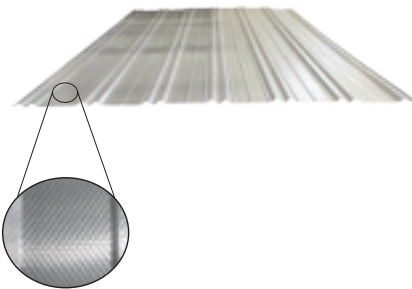
Ash Gray (AG), Black (BL), Beige (BG), Brown (BN), Burgundy (BU), Bronze (BZ), Charcoal (CH), Clay (CL), Galvalume (GV), Ivy (IV), Lightstone (LS), Ocean Blue (OB), Red (RD), Slate (SL), Tan (TN), and Bright White (WH). Allow 1-2 weeks lead time.



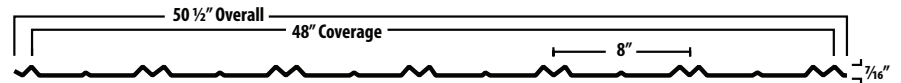
Part#	Description	Coverage	Length
EDGV12	Galvanized Everdrain Panels - 6" Rib Spacing	38"	12'
EDGV16	Galvanized Everdrain Panels - 6" Rib Spacing	38"	16'
EDWH12	Brite White Everdrain Panels - 6" Rib Spacing	38"	12'
EDWH16	Brite White Everdrain Panels - 6" Rib Spacing	38"	16'
EDcc	Special Order Color Everdrain Panels - 6" Rib Spacing	38"	Custom



8" Double Rib



Part#	Description	Coverage	Length
FSATWIN8	Aluminum Panels 8" Double Rib Spacing	48"	8'
FSATWIN10	Aluminum Panels 8" Double Rib Spacing	48"	10'
FSATWIN12	Aluminum Panels 8" Double Rib Spacing	48"	12'
FSATWIN14	Aluminum Panels 8" Double Rib Spacing	48"	14'



9" Double Rib

Special order custom lengths available with 1-2 week lead times.



Part#	Description	Coverage	Length
FSARIBI10	Aluminum Panels 9" Double Rib Spacing	36"	8'
FSARIBI12	Aluminum Panels 9" Double Rib Spacing	36"	10'
FSARIBI14	Aluminum Panels 9" Double Rib Spacing	36"	12'
FSARIBI16	Aluminum Panels 9" Double Rib Spacing	36"	14'

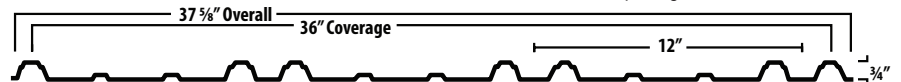


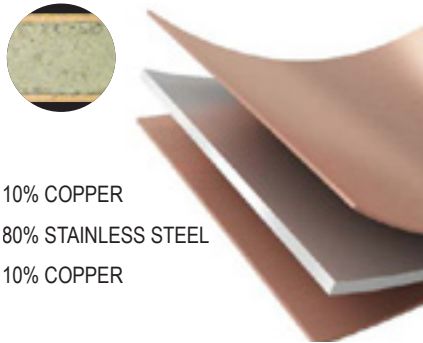
12" Double Rib

Special order custom lengths available with 1-3 day lead times.

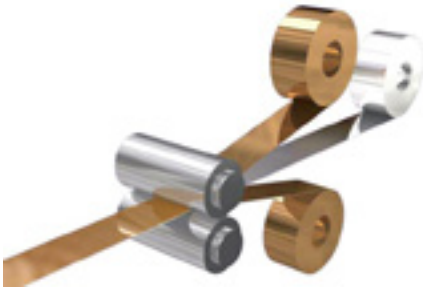


Part#	Description	Coverage	Length
AWS0188	.018 Diamond Embossed Aluminum 12" Double Rib Spacing	36"	8'
AWS01810	.018 Diamond Embossed Aluminum 12" Double Rib Spacing	36"	10'
AWS01812	.018 Diamond Embossed Aluminum 12" Double Rib Spacing	36"	12'
AWS01814	.018 Diamond Embossed Aluminum 12" Double Rib Spacing	36"	14'
AWS01816	.018 Diamond Embossed Aluminum 12" Double Rib Spacing	36"	16'





10% COPPER
80% STAINLESS STEEL
10% COPPER



Copper Plus

Developed in the 1960s, CopperPlus is one of the great success stories you may have never heard. First and foremost, this product is real copper... PLUS something more. By incorporating a core of Type 430 stainless steel, metallurgically roll bonded with two layers of copper, the resulting innovative metallic composite strip offers unprecedented design flexibility.

Features

- Classic beauty
- Higher strength
- Greater durability
- Lighter weight
- Reduced thermal expansion and contraction (minimizing "oil canning")
- Improved solder joints
- Unlimited formability
- Lower cost

Plastic Ceilings & Walls





Palram Multi Wall

Multi Wall

Part#	Description	Coverage	Length
SKSM648	6mm (1/4") Multi-Wall Polycarbonate	4'	8'
SKSM6410	6mm (1/4") Multi-Wall Polycarbonate	4'	10'
SKSM6412	6mm (1/4") Multi-Wall Polycarbonate	4'	12'
SKSM848	8mm (5/16") Multi-Wall Polycarbonate	4'	8'
SKSM8410	8mm (5/16") Multi-Wall Polycarbonate	4'	10'
SKSM8412	8mm (5/16") Multi-Wall Polycarbonate	4'	12'

Multi Wall Trim

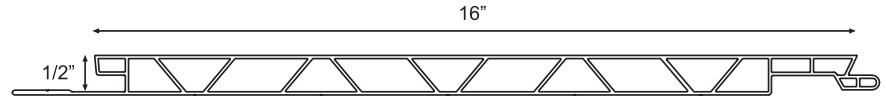
Part#	Description	Length
SK6H	6mm H Channel Clear for Multi-Wall connector/divider	12'
SK6J	6mm J Cap Clear Polycarbonate for Multi-Wall	12'
SK8H	8mm H Channel Clear for Multi-Wall connector/divider	12'
SK8J	8mm J Cap Clear Polycarbonate for Multi-Wall	12'



TrussCore™

Wherever you need a smooth finish that is easy to clean, low maintenance and abuse resistant, TRUSSCORE PVC Sanitary Wall and Ceiling Panel has your project covered. 16" wide, 1/2" thick, and comes in standard 10', 12', 14', 16', and 20' lengths. Custom lengths are available.

Trusscore's unique tongue-and-groove interlocking system makes both vertical and horizontal installation quick and easy.

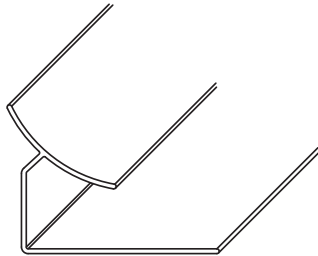


TrussCore

Part#	Description	Coverage	Length
TC1016	Trusscore Pvc Liner Panel - 1/2" thick	16"	10'
TC1216	Trusscore Pvc Liner Panel - 1/2" thick	16"	12'
TC1416	Trusscore Pvc Liner Panel - 1/2" thick	16"	14'
TC1616	Trusscore Pvc Liner Panel - 1/2" thick	16"	16'
TC2016	Trusscore Pvc Liner Panel - 1/2" thick	16"	20'

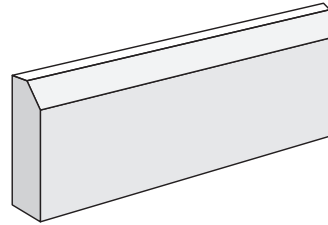


TrussCore Trim



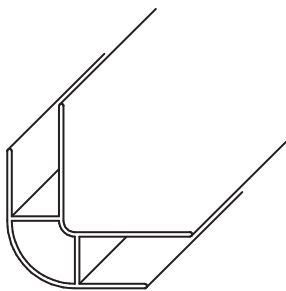
Inside Corner

TCICTRIM



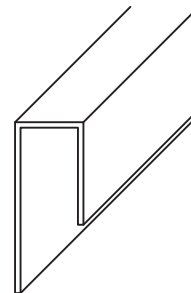
Base Trim

TCBTRIM



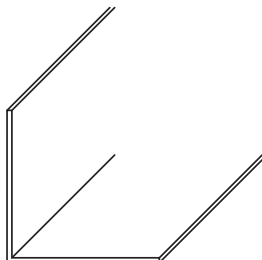
Inside/Outside Corner

TCIOCTRIM



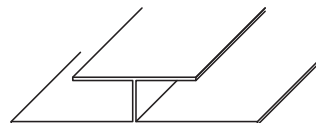
J Channel

TCJTRIM



Outside Corner

TCOCTRIM



H Divider

TCHTRIM



TrussCore Trim



Ag-Tuf® / Ag-Tuf® UV

Ag-Tuf® corrugated PVC liner panel allows efficient cladding of structures with many benefits for all types of agricultural professionals. From hog barns to dairy sheds, from poultry houses to wineries and more, Ag-Tuf® and Ag-Tuf® UV hold up where other products won't. Ag-Tuf®'s resistance to chemicals allows for frequent cleaning and sanitary maintenance, as well as extended service in harsh chemical environments.

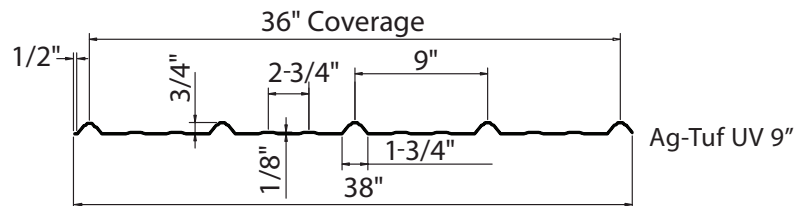
Ag-Tuf® panels are extremely easy to install and maintain using ordinary tools, while preserving its attractive glossy appearance over a long period of time.

Ag-Tuf® carries a 10-Year Manufacturer's Limited Warranty.

Ag-Tuf® UV carries a 5-Year Limited Warranty.

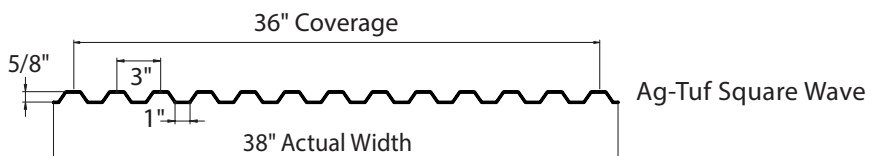
Ag-Tuf® UV 9" Rib Spacing (to match ABM Panel)

Part#	Description	Thickness	Coverage	Length
ATHWH8	White PVC Ag-Tuf UV - 9" Rib Centers - 3/4" High	1mm	36"	8'-2"
ATHWH10	White PVC Ag-Tuf UV - 9" Rib Centers - 3/4" High	1mm	36"	10'-2"
ATHWH12	White PVC Ag-Tuf UV - 9" Rib Centers - 3/4" High	1mm	36"	12'-2"
ATHWH14	White PVC Ag-Tuf UV - 9" Rib Centers - 3/4" High	1mm	36"	14'-2"
ATHWH16	White PVC Ag-Tuf UV - 9" Rib Centers - 3/4" High	1mm	36"	16'-4"
ATHWH20	White PVC Ag-Tuf UV - 9" Rib Centers - 3/4" High	1mm	36"	20'-4"



Ag-Tuf® 3" Rib Spacing

Part#	Description	Thickness	Coverage	Length
ATWH8	White PVC Ag-Tuf - 3" Rib Centers - 3/4" High	.8 mm	36"	8'-2"
ATWH10	White PVC Ag-Tuf - 3" Rib Centers - 3/4" High	.8 mm	36"	10'-2"
ATWH12	White PVC Ag-Tuf - 3" Rib Centers - 3/4" High	.8 mm	36"	12'-2"
ATWH14	White PVC Ag-Tuf - 3" Rib Centers - 3/4" High	.8 mm	36"	14'-2"
ATWH16	White PVC Ag-Tuf - 3" Rib Centers - 3/4" High	.8 mm	36"	16'-4"
ATWH20	White PVC Ag-Tuf - 3" Rib Centers - 3/4" High	.8 mm	36"	20'-4"





Tri-Ply Ceiling

One of the most cost-effective ceilings on the market

Great for use as a ceiling or sidewalls of your agricultural building. This washable, durable, flexible, woven poly material has a coating of poly on both sides of the woven material with one side white and one side black. Insulation can be blown on top of the Tri-ply with ease.



Try-Ply Ceiling

Part#	Description	Size
TPFC	Tri-Ply Fabrene Cloth - One Side Black One Side White	52" x 700'



Try-Ply Strapping

Part#	Description	Size	Length
TPSP	Tri-Ply White Poly Strapping	1/2" wide	7200'



Try-Ply Lath

Part#	Description	Size	Length
TPLPW	Tri-Ply Lath - White Painted 1 Side	1/2" x 1-1/2"	12'





FRP Glassboard - A Grade

Sequentia fiberglass reinforced wall and ceiling panels are durable, clean and easy to install. Sequentia FRP Panels are ideal for areas where cleanable and sanitary finish are essential.

Common Applications

- Commercial Kitchens
- Restaurants
- Restrooms
- Convenience Stores
- Locker Rooms
- Food Processing Plants

Features

- Mold & Mildew Resistant
- Meets USDA/FSIS Requirements
- Easy To Install
- Cleanable
- Durable



Part#	Description	Grade	Size
GBAP8	Almond Pebbled Glassboard - .090	A	4' x 8'
GBGP8	Gray Pebbled Glassboard - .090	A	4' x 8'
GBLO8	White Pebbled Glassboard - .375" Laminated On 3/8" OSB	A	4' x 8'
GBLPO8	White # 85 PWI Laminated to .32 White Fluted Polypropylene	A	4' x 8'
GBWP8	White Pebbled Glassboard - .090	A	4' x 8'
GBWS8	White Smooth Glassboard - .090	A	4' x 8'
GBWP9	White Pebbled Glassboard - .090	A	4' x 9'
GBAP10	Almond Pebbled Glassboard - .090	A	4' x 10'
GBGP10	Gray Pebbled Glassboard - .090	A	4' x 10'
GBLO10	White Pebbled Glassboard - .375" Laminated On 3/8" OSB	A	4' x 10'
GBLPO10	White # 85 PWI Laminated to .32 White Fluted Polypropylene	A	4' x 10'
GBWP10	White Pebbled Glassboard - .090	A	4' x 10'
GBWS10	White Smooth Glassboard - .090	A	4' x 10'
GBWP12	White Pebbled Glassboard - .090	A	4' x 12'
GBWS12	White Smooth Glassboard - .090	A	4' x 12'
GBROLL	White Pebbled Glassboard Roll	A	4' x 500'
GBROLL6	White Pebbled Glassboard Roll	A	6' x 250'
GBROLL8	White Pebbled Glassboard Roll	A	8' x 250'
GBSO	Special Order Glassboard Color or Size		

PEBBLED EMBOSSED TEXTURE



WHITE | 1130



ALMOND | 1114



GRAY | 0048

SMOOTH TEXTURE



WHITE | 1130

ACTUAL COLORS MAY VARY.
REQUEST FREE COLOR SAMPLES.



GBCc



GBC38



Glassboard End Caps

Part#	Description	Size
GBCA8	Almond Glassboard End Cap	8'
GBCA	Almond Glassboard End Cap	10'
GBCG	Gray Glassboard End Cap	10'
GBCW	White Glassboard End Cap	10'
GBC38	White End Cap for Glassboard on 3/8" Plywood	10'

Glassboard Division Bar

Part#	Description	Size
GBDBA8	Almond Glassboard Division Bar	8'
GBDBA	Almond Glassboard Division Bar	10'
GBDBG	Gray Glassboard Division Bar	10'
GBDBW	White Glassboard Division Bar	10'



GBICc



GBIC38



GBOC



GBOC38

Glassboard Inside Corners

Part#	Description	Size
GBICA8	Almond Glassboard Inside Corner	8'
GBICA	Almond Glassboard Inside Corner	10'
GBICG	Gray Glassboard Inside Corner	10'
GBICW	White Glassboard Inside Corner	10'
GBIC38	White Inside Corner for Glassboard on 3/8" Plywood	8' or 10'
GBLICA	Almond Glassboard Large Inside Corner	1.5" x 1.5"
GBLICG	Gray Glassboard Large Inside Corner	1.5" x 1.5"
GBLICW	White Glassboard Large Inside Corner	1.5" x 1.5"

Glassboard Outside Corners

Part#	Description	Size
GBOCA8	Almond Glassboard Outside Corner	8'
GBOCA	Almond Glassboard Outside Corner	10'
GBOCG	Gray Glassboard Outside Corner	10'
GBOCW	White Glassboard Outside Corner	10'
GBOC38	White Outside Corner for Glassboard on 3/8" Plywood	8' or 10'
GBLOCA	Almond Glassboard Large Outside Corner	1.5" x 1.5"
GBLOCG	Gray Glassboard Large Outside Corner	1.5" x 1.5"
GBLOCW	White Glassboard Large Outside Corner	1.5" x 1.5"



Glassboard Cove Moulding

Part#	Description	Size
GBCM	White Glassboard Cove Moulding	10'

FRP Screw



Glassboard Stainless Steel Pan-head Screws

Part#	Description	Size
GBS34	#8 Stainless Steel Pan-Head FRP Screws White	3/4"
GBS1	#8 Stainless Steel Pan-Head FRP Screws White	1"
GBS15	#8 Stainless Steel Pan-Head FRP Screws White	1-1/2"
GBS2	#8 Stainless Steel Pan-Head FRP Screws White	2"

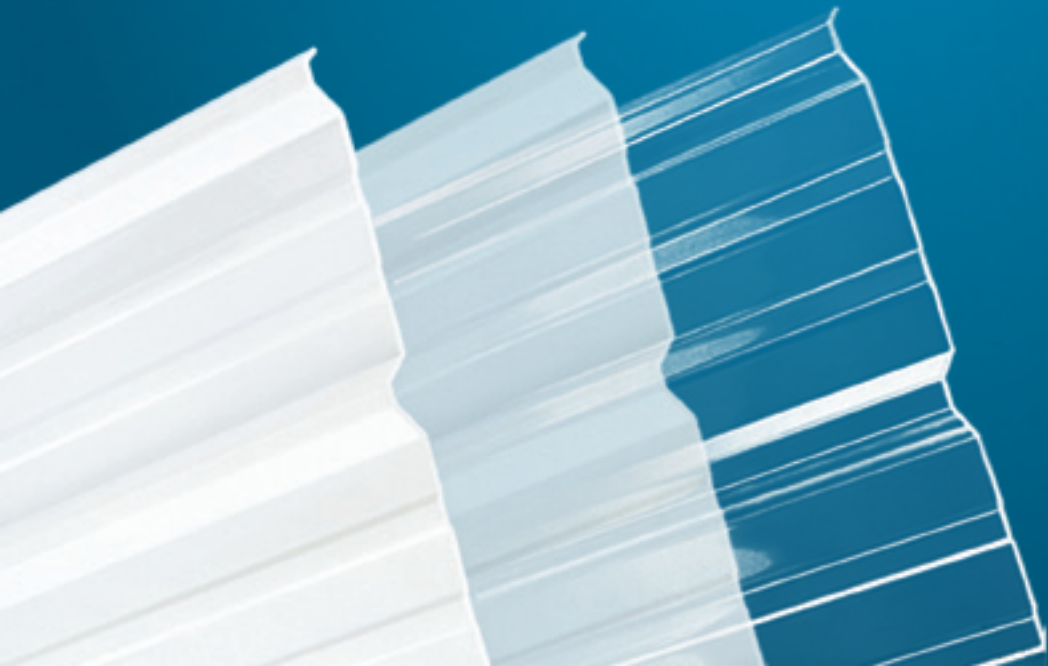
FRRP Rivets



Glassboard Pop Rivets

Part#	Description	Size
GBR75	White Glassboard Rivets	3/4"
GBR75AL	Almond Glassboard Rivets	3/4"
GBR75GR	Gray Glassboard Rivets	3/4"
GBR1	White Glassboard Rivets	1"
GBR1AL	Almond Glassboard Rivets	1"
GBR1GR	Gray Glassboard Rivets	1"
GBR15	White Glassboard Rivets	1-1/2"
GBR15AL	Almond Glassboard Rivets	1-1/2"
GBR15GR	Gray Glassboard Rivets	1-1/2"
GBR2	White Glassboard Rivets	2"
GBR2AL	Almond Glassboard Rivets	2"

Polycarbonate Skylights





Sunsky® Skylights

SunSky corrugated polycarbonate panels stand up to punishing exterior applications and offer multiple advantages over traditional fiberglass corrugated panels. SunSky provides up to 20 times greater impact resistance, warranted protection against yellowing, excellent load ratings, and the highest resistance to wind uplift—outstanding properties confirmed by independent laboratory tests and in installations worldwide since 1984. SunSky is available in soft white for maximum light transmission without glare, as well as clear and a range of colors to filter light or reduce heat loads.

ABM Profile Skylight

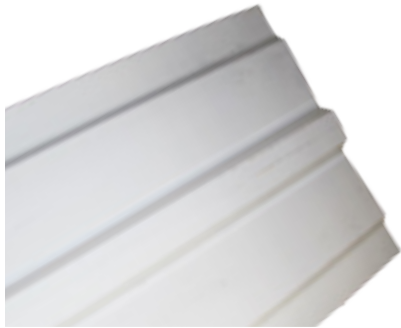
Part#	Description	Coverage	Length
SKSTCL8	Clear Polycarbonate Skylight - 90% Light Transmission	36"	8'
SKSTCL10	Clear Polycarbonate Skylight - 90% Light Transmission	36"	10'
SKSTCL12	Clear Polycarbonate Skylight - 90% Light Transmission	36"	12'
SKSTCL14	Clear Polycarbonate Skylight - 90% Light Transmission	36"	14'
SKSTCL16	Clear Polycarbonate Skylight - 90% Light Transmission	36"	16'
SKSTSW8	Soft White Polycarbonate Skylight - 85% Light Transmission	36"	8'
SKSTSW10	Soft White Polycarbonate Skylight - 85% Light Transmission	36"	10'
SKSTSW12	Soft White Polycarbonate Skylight - 85% Light Transmission	36"	12'
SKSTSW14	Soft White Polycarbonate Skylight - 85% Light Transmission	36"	14'
SKSTSW16	Soft White Polycarbonate Skylight - 85% Light Transmission	36"	16'
SKSTWH8	White (Opal) Polycarbonate Skylight - 45% Light Transmission	36"	8'
SKSTWH10	White (Opal) Polycarbonate Skylight - 45% Light Transmission	36"	10'
SKSTWH12	White (Opal) Polycarbonate Skylight - 45% Light Transmission	36"	12'
SKSTSG12	Solar Gray Polycarbonate Skylight - 35 % Light Transmission	36"	12'

Miscellaneous Profile Skylight

Part#	Description	Coverage	Length
SK5V8	5V Crimp Skylite For 24" Coverage Clear Polycarbonate	24"	8'
SK5V12	5V Crimp Skylite For 24" Coverage Clear Polycarbonate	24"	12'
SKCD8	Clear Polycarbonate Skylight For Everdrain Profile 6" Ribs	36"	8'
SKCD10	Clear Polycarbonate Skylight For Everdrain Profile 6" Ribs	36"	10'
SKCD12	Clear Polycarbonate Skylight For Everdrain Profile 6" Ribs	36"	12'
SKCOR125	Clear Polycarbonate Skylite 1.25" Corrugated	24"	12'

PBR Skylight

Part#	Description	Coverage	Length
SKSTRCL8	Clear Polycarbonate Skylite 1mm Thick 12" Rib Spacing	36"	8'
SKSTRCL10	Clear Polycarbonate Skylite 1mm Thick 12" Rib Spacing	36"	10'
SKSTRCL12	Clear Polycarbonate Skylite 1mm Thick 12" Rib Spacing	36"	12'
SKSTRSW12	Soft White Polycarbonate PBR 85% Light Transmission		12'
SKSTRW12	White (Opal) Polycarbonate PBR 12" Ribs		12'



ABM Skylight Ridgecap

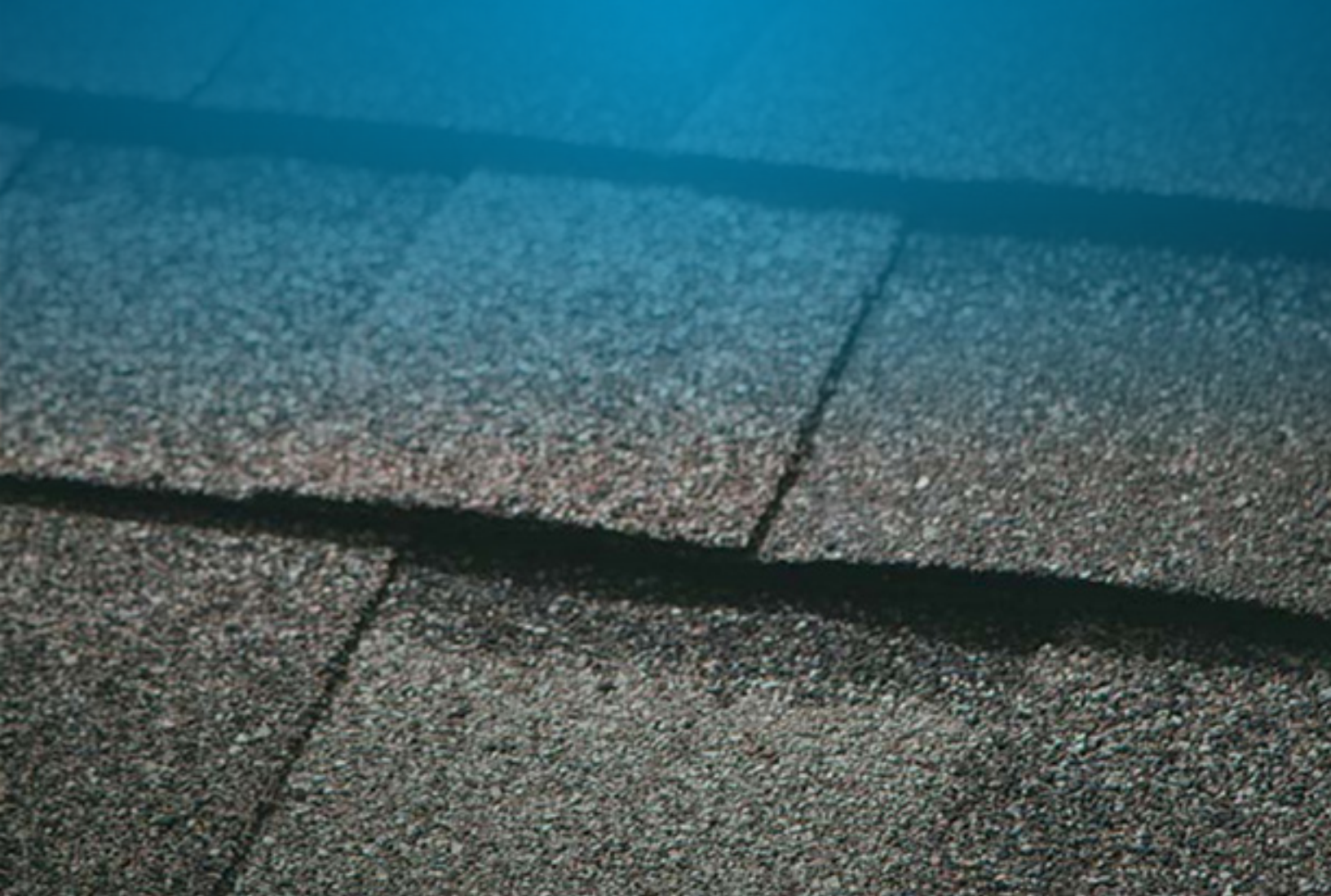
Part#	Description	Coverage	Length
SKRLP	Clear Polycarbonate Ridge Light	24"	10'-6"
SKRLPWH	White Opal Polycarbonate Ridge Light	24"	10'-6"



Polycarbonate Screws

Part#	Description	Length
S1415P	#14 Galvanized Screws w/ 25mm Washer - to Wood	1.5"
SD1415P	#14 Galvanized Self Drilling Screws w/ 25mm Washer - to Metal	1.5"

Asphalt Shingles

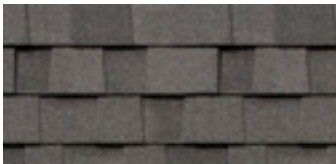




OXFORD GREY (OG)



RUSTIC BLACK (RB)



WEATHERED WOOD (WW)



RUSTIC CEDAR (RC)



RUSTIC REDWOOD (RR)



VIRGINIA SLATE (VS)

ACTUAL COLORS MAY VARY.
REQUEST FREE COLOR SAMPLES.

Tamko® Heritage 30-year Laminated Shingles

- Made with a double-layer fiberglass mat for strength
- Coated on both sides with weathering-grade asphalt
- Topped with ceramic mineral granules
- Features self-sealing asphalt strip for added wind resistance
- Improves the look and value of your home without the high costs associated with wood
- Made with TAMKO®'s own fiberglass mat
- 30-year Limited Warranty
- 15-year Full Start
- 5-year Limited Transferability
- 10-year limited Algae Relief-Algae cleaning warranty*
- 15-year limited warranty against damage from wind up to 130 mph**

*Algae Cleaning Limited Warranty that provides for cleaning of discoloration caused by certain algae growth that may occur in areas with high humidity. **When applied in accordance with TAMKO®'s High Wind Application Instructions

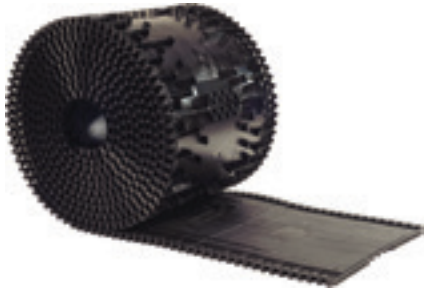
Part#	Description	Dimensions	Exposer
SHTcc	Tamko Heritage Laminated Shingles - 3 Bundles Per Square	39.375" x 13.25"	5.625"
SHICAPcc	Tamko Hip & Ridge Cap - Covers 33'		



GAF/ELK Pro-Start® Eave/Rake Starter Strip

- A cost-effective alternative to using cut-up shingles as your starter course
- Made with a high-quality, properly positioned adhesive that will tightly lock your shingles in place to help prevent blow-off
- Easy to use and install, with no cutting on the roof

Part#	Description	Size
SHSTARTER	GAF/ELK Pro Start Starter Shingles - 120' Per Bundle	13" x 38"



Lomanco Lo-Omniroll Shingle Vent

- 30' Roll
- Comes with two coils of 1.75" nails
- Suitable for 3/2 to 1 1/2 pitch
- 14.5" wide for a 12" cap shingle
- Lifetime Warranty

Part#	Description	Size
SHTVL	Lomanco Lo-Omniroll Shingle Vent w/ 1.75" Nails	14.5" x 30'

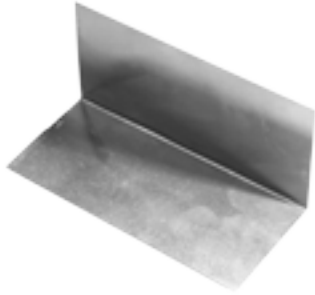


Roof Saver Cobra Vent

- Roof Saver Rolled Ridge Vent is cost-effective attic ventilation that provides a cosmetically superior appearance compared to unsightly fans or vents.

Part#	Description	Size
CV10.5	Roof Saver Cobra Vent for Shingle Roof	10.5" x 20'

Drip Edge



Aluminum Drip Edge

Part#	Description	Size	Length
SOFDEBL	Black F4 Aluminum Drip Edge - .014	1/2"	10'
SOFDEBN	Brown F4 Aluminum Drip Edge - .014	1/2"	10'
SOFDECL	Clay F4 Aluminum Drip Edge - .014	1/2"	10'
SOFDEWH	White F4 Aluminum Drip Edge - .014	1/2"	10'
ODEBN	Royal Brown ODE Drip Edge Aluminum - .019		10'
ODEWH	White ODE Drip Edge Aluminum - .019		10'

Aluminum Step Flashing

Part#	Description	Size
ISF	Aluminum Step Flashing - .018 100 Per Pack	2" x 3" x 7"
ISF337	Aluminum Step Flashing - .018 100 Per Pack	3" x 3" x 7"
ISF57	Flat Aluminum Step Flashing - .012 100 Per Pack	5" x 7"

Shingle Nails



Electro-Galvanized Roofing Coil Nails

Part#	Description	Size
ACR151	EG Roofing 15 Degree Coil Nails - 60 Coils 7200/box	.120 1"
ACR15125	EG Roofing 15 Degree Coil Nails - 60 Coils 7200/box	.120 1-1/4"
ACR1515	EG Roofing 15 Degree Coil Nails - 60 Coils 7200/box	.120 1-1/2"
ACR15175	EG Roofing 15 Degree Coil Nails - 60 Coils 7200/box	.120 1-3/4"

House Wrap & Underlayment





Rexwrap Plus/A.B. Martin House Wrap

Part#	Description	Size
IHWR	House Wrap Rexwrap Plus Brand w/ ABM Logo	9' x 100'



Tyvek® House Wrap

Unique material science helps prevent the infiltration of air and water, but lets water vapor escape to prevent rot and mold inside walls.

- 10-year limited warranty from DuPont.
- Easy to install

Part#	Description	Size
IHWT	House Wrap Tyvek Brand	9' x 100'

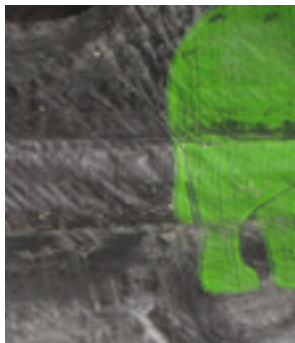


Tyvek® StuccoWrap®

Tyvek® StuccoWrap® WRB has an engineered, grooved surface that is designed to be installed as a drainage plane behind stucco facades and EIFS systems.

- 10-year limited warranty from DuPont.
- Superior water management that promotes stronger facades.

Part#	Description	Size
IHWTS	Stucco Wrap Tyvek Brand	5' x 200'



Elephant Skin Synthetic Roofing Underlayment

- .ASTM D226 & D4869 approved
- One of the best anti-slip surfaces on the market
- 180 day UV exposure
- Temp -30° to 220° Fahrenheit

Part#	Description	Size	Covers
IULE	Elephant Skin Synthetic Underlayment	42" x 286'	10 sq.

Rhino Roof Synthetic Roofing Underlayment

- .ASTM D226 & D4869 approved
- Fiber grip slip-resistant

Part#	Description	Size	Covers
IULRHINO	Rhino Roof Synthetic Underlayment	42" x 286'	10 sq.



Titanium Synthetic Roofing Underlayment

- 6 month UV exposure
- 17 mill

Part#	Description	Size	Covers
IUL25	Titanium UDL25 Roof Synthetic Underlayment	48" x 250'	10 sq.



Warrior Felt Paper

Part#	Description	Covers
IFP15	#15 Warrior Felt Paper	4 sq.
IFP30	#30 Warrior Felt Paper	2 sq.



Ice & Water Protector Underlayment

- Smooth surface
- For use with metal roofs

Part#	Description	Size
IIWHT	High Temperature Ice & Water Protector	36" x 66.6'
IIEWS	Ice & Water Protector	36" x 66.6'



Henry Evegard Shingle Underlayment

- Split face backer
- Meets ASTM D1970
- Works for metal

Part#	Description	Size	Covers
IIWGH	Titanium Roof Synthetic Underlayment	36" x 65'	195 sqft



Tyvek® Flashing Tape

Part#	Description	Size
IWW4T	Window Flashing Tape Tyvek Brand	4" x 75'



Tyvek® FlexWrap Flashing Tape

Part#	Description	Size
IWWF6T	Flexwrap Self-adhering Flashing Tape for Curved Windows	6" x 75'



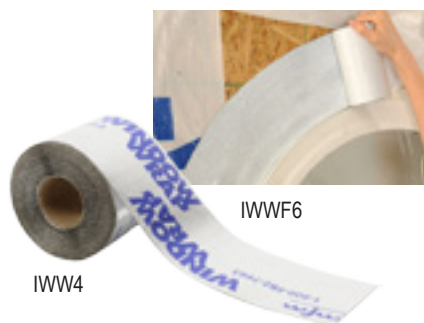
Tyvek® Straight Flashing

Part#	Description	Size
IWW6TSF	Straight Flashing VF Tape used to Flash Brick Mould Doors	6" x 125'



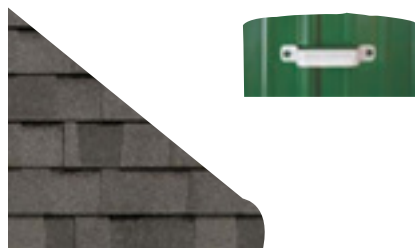
Tyvek® House Wrap Tape

Part#	Description	Size
IHWTAPE	Tyvek House Wrap Tape	2" x 165'



Window Wrap Flashing Tape

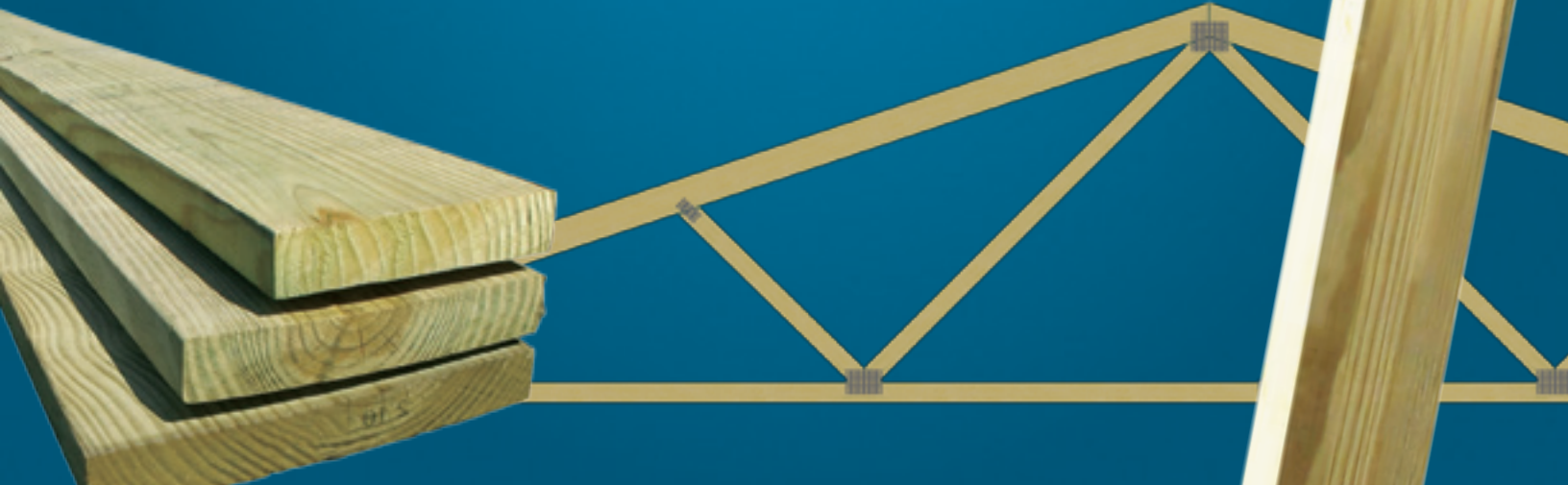
Part#	Description	Size
IWWF6	Window Wrap Flex 70 Mil. Self-adhering Flashing Tape for Curved Windows	6" x 50'
IWW4	Window Wrap PSX-20 25 Mil. Self-adhering Flashing Tape for Treated Skirt	4" x 100'
IWW6	Window Wrap PSX-20 25 Mil. Self-adhering Flashing Tape for Window/Door	6" x 100'
IWW9	Window Wrap PSX-20 25 Mil. Self-adhering Flashing Tape for Window/Door	9" x 100'



Peel & Seal

Part#	Description	Size
IPS12	Peel & Seal - Aluminum Coated	12" x 33'
IPS18	Peel & Seal - Aluminum Coated	18" x 33'
IPS36	Peel & Seal - Aluminum Coated	36" x 33.5'
IPS4	Peel & Seal - Aluminum Coated	4" x 33'
IPS6	Peel & Seal - Aluminum Coated	6" x 33'
IPS9	Peel & Seal - Aluminum Coated	9" x 33'
IPSW12	Peel & Seal - White Coated	12" x 33'
IPSW36	Peel & Seal - White Coated	36" x 33'

Lumber, Posts, & Trusses



Lumber, Posts, & Trusses Index

LVL Headers.....	LPT3	Plywood and OSB	LPT6
#2 White Pine.....	LPT3	T1-11	LPT6
Eastern White Pine Rough Sawn.....	LPT3	Rough Cut	LPT7
Treated Yellow Pine	LPT3	Furring Lath.....	LPT7
#1 Yellow Pine.....	LPT4	Yellow Pine Stair Treads.....	LPT7
#2 Yellow Pine.....	LPT4	Glue Laminated SYP Posts.....	LPT7
Yellow Pine Machine Stress Rated	LPT4	The Green Post	LPT7
Spruce/Pine/Fir Dimensional Lumber	LPT4	Standard Truss (in-stock).....	LPT8
Shiplap Rough Sawn	LPT5	Attic Truss	LPT8
Tongue & Groove Barn Siding	LPT5	Scissors Truss.....	LPT8
Tongue & Groove Yellow Pine.....	LPT5	Gambrel Truss.....	LPT8
Treated Tongue & Groove Yellow Pine	LPT5	Mono Truss	LPT8
Fir	LPT5		



LVL Headers

Available in 2' increments

Part#	Description	Size	Lengths
LVL95**	LVL Header	1-3/4" x 9-1/2"	8' - 48'
LVL1178**	LVL Header	1-3/4" x 11-7/8"	8' - 38', and 48'
LVL14**	LVL Header	1-3/4" x 14"	8' - 38', and 48'
LVL16**	LVL Header	1-3/4" x 16"	8' - 36', and 48'
LVL18**	LVL Header	1-3/4" x 18"	8' - 32', 36', and 48'

LVL Headers



#2 White Pine

Part#	Description	Size	Lengths
L14***	#2 White Pine Board	1" x 4"	10', 12', and 16'
L16**	#2 White Pine Board	1" x 6"	6', 10', 12', and 16'
L18**	#2 White Pine Board	1" x 8"	12' and 16'
L110**	#2 White Pine Board	1" x 10"	12' and 16'
L112**	#2 White Pine Board	1" x 12"	12' and 16'

WP Boards



Eastern White Pine Rough Sawn

Available in 2' increments

Part#	Description	Size	Lengths
L110**RS	EWP S1S RS Siding	1" x 10"	10' - 16'
L112**RS	EWP S1S RS Siding	1" x 12"	8' - 16'

Rough Sawn



Treated Yellow Pine

Available in 2' increments

Part#	Description	Size	Lengths
LT1412	Treated Yellow Pine	1" x 4"	12'
LT1612	Treated Yellow Pine	1" x 6"	12'
LT546**	Standard Treated Yellow Pine	5/4" x 6"	10' - 16'
LT546161	Premium Treated Yellow Pine	5/4" x 6"	16'
LT24**	Treated Yellow Pine	2" x 4"	8' - 16'
LT26**	Treated Yellow Pine	2" x 6"	8' - 16', and 20'
LT26**GC	Treated Yellow Pine Ground Contact	2" x 6"	10' - 16'
LT28**	Treated Yellow Pine	2" x 8"	8' - 16', and 20'
LT28**GC	Treated Yellow Pine Ground Contact	2" x 8"	10', 12', and 16'
LT210**	Treated Yellow Pine	2" x 10"	8' - 16', and 20'
LT210**GC	Treated Yellow Pine Ground Contact	2" x 10"	10', 12', and 16'
LT212**	Treated Yellow Pine	2" x 12"	10', 12', 16', and 20'
LT212**GC	Treated Yellow Pine Ground Contact	2" x 12"	10' and 16'

Treated YP

Yellow Pine



#1 Yellow Pine

Available in 2' increments

Part#	Description	Size	Lengths
LYP210	#1 Yellow Pine	2" x 4"	16'
LYP26**	#1 Yellow Pine	2" x 6"	10' - 20'
LYP28**	#1 Yellow Pine	2" x 8"	10' - 24'
LYP210**	#1 Yellow Pine	2" x 10"	10' - 24'
LYP212**	#1 Yellow Pine	2" x 12"	10' - 24'

#2 Yellow Pine

Available in 2' increments

Part#	Description	Size	Lengths
LYP26**	#2 Yellow Pine	2" x 6"	10' - 16'
LYP28**	#2 Yellow Pine	2" x 8"	10' - 16'

Yellow Pine Machine Stress Rated

Part#	Description	Size	Lengths
LMSR210**	Yellow Pine MSR	2" x 10"	12' - 20'
LMSR212**	Yellow Pine MSR	2" x 12"	10' - 20'

Spruce/Pine/Fur Dimensional Lumber

Available in 2' increments

Part#	Description	Size	Lengths
L23**	SPF	2" x 3"	8', 12', and 16'
L249258	SPF	2" x 4"	92-5/8"
L2410458	SPF	2" x 4"	104-5/8"
L24**	SPF	2" x 4"	8' - 20'
L269258	SPF	2" x 6"	92-5/8"
L2610458	SPF	2" x 6"	104-5/8"
L26**	SPF	2" x 6"	8' -20'
L28**	SPF	2" x 8"	8' - 20'
L210**	SPF	2" x 10"	8' - 20'
L212**	SPF	2" x 12"	12' - 18'

MSR



Dimensional



Shiplap

T&G Barn Siding

T&G Yellow Pine

Fir



Shiplap Rough Sawn

Part#	Description	Size	Length
L11010SL	RS Shiplap	1" x 10"	10'
L11012SL	RS Shiplap	1" x 10"	12'
L11016SL	RS Shiplap	1" x 10"	16'



Tongue & Groove Barn Siding

Available in 2' increments

Part#	Description	Size	Lengths
L16**TG	T&G Barn Siding	1" x 6"	8' - 16'
L18**TG	T&G Barn Siding	1" x 8"	8' - 16'



Tongue & Groove Yellow Pine

Available in 2' increments

Part#	Description	Size	Lengths
LYP26**TG	#2 T&G Yellow Pine	2" x 6"	10' - 16'
LYP28**1TG	#1 T&G Yellow Pine	2" x 8"	10' - 16'
LYP28**TG	#2 T&G Yellow Pine	2" x 8"	10' - 16'

Treated Tongue & Groove Yellow Pine

Available in 2' increments

Part#	Description	Size	Lengths
LT26**TG	Treated T&G Yellow Pine	2" x 6"	10' - 16'
LT28**TG	Treated T&G Yellow Pine	2" x 8"	12' and 16'



Fir

Part#	Description	Size	Lengths
L2622	Hem Fir	2" x 6"	20'
L2624	Hem Fir	2" x 6"	24'
L2822	Hem Fir	2" x 8"	20'
L2824	Hem Fir	2" x 8"	24'
L21022	Hem Fir	2" x 10"	20'
L21024	Hem Fir	2" x 10"	24'
L21222	Hem Fir	2" x 12"	20'
L21224	Hem Fir	2" x 12"	24'
L21026	Douglas Fir	2" x 10"	26'
L21226	Douglas Fir	2" x 12"	26'



Plywood and OSB

Part#	Description	Size	Thickness
L14P	Lauan Plywood	4' x 8'	1/4"
L38P	Yellow Pine Plywood CDX	4' x 8'	3/8"
L124P	4-ply Yellow Pine Plywood CDX	4' x 8'	1/2"
L124PFIR	4-ply Fir Plywood CDX	4' x 8'	1/2"
L58P	Yellow Pine Square Edge Plywood CDX	4' x 8'	5/8"
L58PF	Fir Square Edge Plywood CDX	4' x 8'	5/8"
L34P	Square Edge Plywood CDX	4' x 8'	3/4"
L58TG	Tongue & Groove Plywood UL	4' x 8'	5/8"
L34TG	Tongue & Groove Yellow Pine Plywood UL	4' x 8'	3/4"
L34PTGF	Tongue & Groove Fir Plywood UL	4' x 8'	3/4"
L12PBC	Plywood B C (sanded one side)	4' x 8'	1/2"
L34PBC	Plywood B C (sanded one side)	4' x 8'	3/4"
L12PT	Treated Plywood	4' x 8'	1/2"
L34PT	Treated Plywood	4' x 8'	3/4"
L716O	OSB	4' x 8'	7/16"
L716O9	OSB	4' x 9'	7/16"
L12O	OSB	4' x 8'	1/2"
L58O	OSB	4' x 8'	5/8"
L34OG	Top Notch Tongue & Groove OSB	4' x 8'	3/4"
L34OTGGOLD	Gold Edge T&G OSB	4' x 8'	3/4"
L34OA	Advantech T&G OSB	4' x 8'	3/4"
L12OZ	Zip System OSB	4' x 8'	1/2"



T1-11

Part#	Description	Size	Thickness
LT111	T1 11 Yellow Pine Plywood Siding	4' x 8'	5/8"
LT111FIR10	T1 11 Fir Plywood Siding	4' x 10'	5/8"



Rough Cut

Available in 2' increments

Part#	Description	Size	Length
LYP1416	Southern Yellow Pine Rough Cut	1" x 4"	16'
L1416RCSP	Spruce Rough Cut	1" x 4"	16'

Rough Cut



Furring Lath

Part#	Description	Size	Length
L138	Furring Lath	1" x 3"	8'
L1312	Furring Lath	1" x 3"	12'
L1316	Furring Lath	1" x 3"	16'

Furring Lath



Yellow Pine Stair Treads

• Rounded one side

Part#	Description	Size
LYPTRE12	Yellow Pine Treads	5/4" x 12" x 12'
LYPTRE16	Yellow Pine Treads	5/4" x 12" x 16'

Stair Treads



Glue Laminated SYP Posts

Available in 2' increments • Southern Yellow Pine.

Part#	Description	Size	Lengths
LGL6**	3-ply Glu-Lam Post - w/ Bottom 6' Treated	2 x 6"	12' - 32'
LGL8**	3-ply Glu-Lam Post - w/ Bottom 6' Treated	2 x 8"	16' - 32'
LGL46**	4-ply Glu-Lam Post - w/ Bottom 6' Treated	2 x 6"	14' - 32'
LGL48**	4-ply Glu-Lam Post - w/ Bottom 6' Treated	2 x 8"	16' x 40'
LGLFT**	3-ply and 4-ply Glu-Lam Post - Fully Treated	*	8' - 40'

Many 2-ply, 4-ply, and 5-ply Glu-lams also available for special order in many lengths

Glulam Posts



The Green Post

The most affordable In-Ground Solution to Post Decay. Provides superior protection from the harmful effects of concrete, rot & decay, corrosive soils agents, soil nutrients, moisture, and oxygen. Available in 2' increments • Southern Yellow Pine with bottom 6' treated

Part#	Description	Size	Lengths
LGLPS6**	Green Post - 3-ply Glu-Lam	2 x 6"	14' - 28'
LTPS46**	Green Post - Fully Treated	4" x 6"	12' - 18'
LTPS6616	Green Post - Fully Treated	6" x 6"	16'

Many 3-ply, 4-ply, and 5-ply Green Posts also available for special order in many lengths

Green Post

Standard Truss



Standard Truss (in-stock)

- Designed to be installed 4' on center
- 110 MPH wind load and 30-5-5 pound load rating with no deductions
- Other custom order trusses are available with varying lead times

Part#	Description	Pitch	Length
TRU20	Standard Truss - 4' O/C - 10-1/2" T/C - O/H	4/12	20'
TRU24	Standard Truss - 4' O/C - 10-1/2" T/C - O/H	4/12	24'
TRU26	Standard Truss - 4' O/C - 10-1/2" T/C - O/H	4/12	26'
TRU28	Standard Truss - 4' O/C - 10-1/2" T/C - O/H	4/12	28'
TRU30	Standard Truss - 4' O/C - 10-1/2" T/C - O/H	4/12	30'
TRU32	Standard Truss - 4' O/C - 10-1/2" T/C - O/H	4/12	32'
TRU36	Standard Truss - 4' O/C - 10-1/2" T/C - O/H	4/12	36'
TRU40	Standard Truss - 4' O/C - 10-1/2" T/C - O/H	4/12	40'
TRU50	Standard Truss - 4' O/C - 10-1/2" T/C - O/H	3.75/12	50'
TRUSO	Special Order Truss		

S/O Trusses



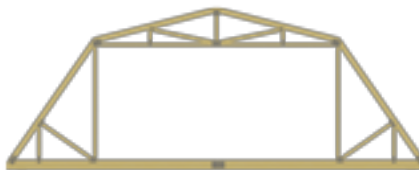
Attic Truss

Part#	Description
TRUSO	Special Order Truss



Scissors Truss

Part#	Description
TRUSO	Special Order Truss



Gambrel Truss

Part#	Description
TRUSO	Special Order Truss

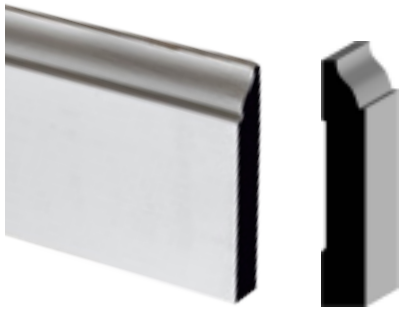


Mono Truss

Part#	Description
TRUSO	Special Order Truss

Trim Moulding





Base Trim Moulding - WM 623

Finger joint pine with a white primer coat.

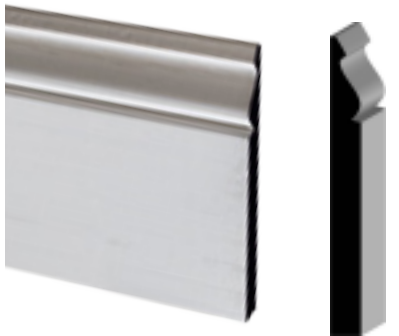
Part#	Description	Size	Length
TBWM623	Base Trim Moulding Primed Finger Joint Pine WM 623	9/16" x 3-1/4"	16'



Base Trim Moulding - WM 663

Finger joint pine with a white primer coat.

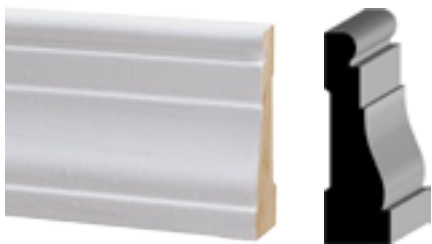
Part#	Description	Size	Length
TBWM663	Base Trim Moulding Primed Finger Joint Pine WM 663	9/16" x 3-1/4"	16'



Base Trim Moulding - LWM 163E

Finger joint pine with a white primer coat.

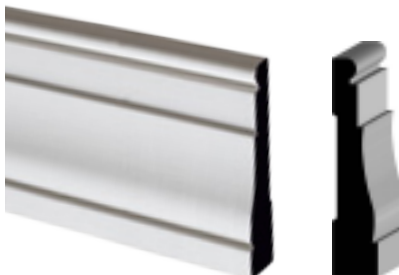
Part#	Description	Size	Length
TBWM163E	Base Trim Moulding Primed Finger Joint Pine LWM 163E	9/16" x 5-1/4"	16'



Casing - WM 376

Finger joint pine with a white primer coat.

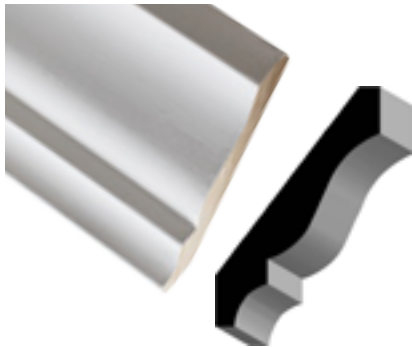
Part#	Description	Size	Length
TBWM376	Casing Trim Moulding Primed Finger Joint Pine WM 376	11/16" x 2-1/4"	14'



Casing - WM 445

Finger joint pine with a white primer coat.

Part#	Description	Size	Length
TBWM445	Casing Trim Moulding Primed Finger Joint Pine WM 445	11/16" x 3-1/4"	15'



Crown Moulding - LWM 49

Finger joint pine with a white primer coat.

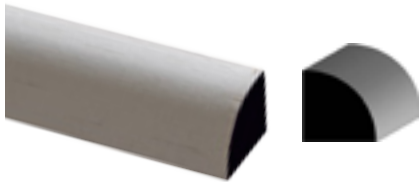
Part#	Description	Size	Length
TBWM49	Crown Moulding Primed Finger Joint Pine LWM 49	9/16" x 3-5/8"	16'



Base Shoe - WM 127

Finger joint pine with a white primer coat.

Part#	Description	Size	Length
TBWM127	Base Shoe Moulding Primed Finger Joint Pine WM 127	7/16" x 3/4"	16'



Quarter Round - WM 106

Finger joint pine with a white primer coat.

Part#	Description	Size	Length
TBWM106	Quarter Round Moulding Primed Finger Joint Pine	11/16" x 11/16"	16'



Chair Rail Moulding - WM 390

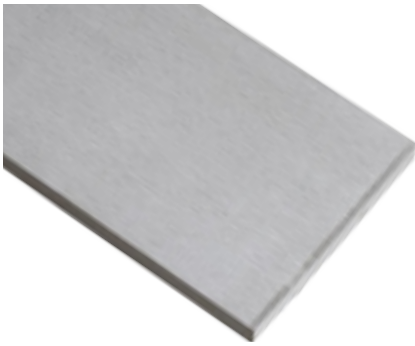
Finger jointed pine with a white primer coat.

Part#	Description	Size	Length
TBWM390	Chair Rail Moulding Primed Finger Joint Pine - WM 390	11/16" x 2-5/8"	16'



Hand Rail - WM 240

Part#	Description	Size	Length
TBWM24012	Solid Pine Hand Rail - WM 240	1-1/4" x 2-1/4"	12'
TBWM24014	Solid Pine Hand Rail - WM 240	1-1/4" x 2-1/4"	14'

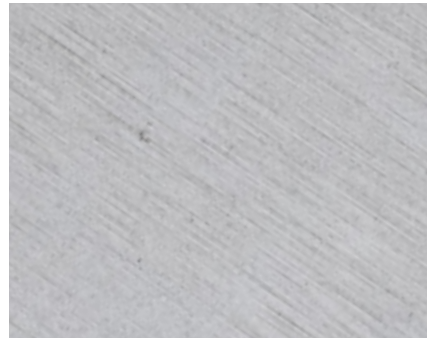


Boral Poly Ash Truexterior Trim Boards

- Made with the revolutionary new poly-ash material, which addresses both the moisture- and movement-related issues commonly seen with other exterior materials, creating a balance of performance and aesthetics that cannot be found with other manmade alternatives.
- Easy to cut, route, drill and mill.
- Resistant to rotting, cracking, splitting and virtually free from termites.
- Maintains a high level of dimensional stability during periods of moisture and temperature changes.
- Approved for ground contact.
- Does not require end-sealing, special adhesives or other cumbersome and costly installation techniques.
- Can be painted any color with exterior grade latex paint.



Part#	Description	Size	Length
BTE1416	Boral Truexterior Trim Board - Wood Grain/Smooth	1 x 4	16'
BTE1616	Boral Truexterior Trim Board - Wood Grain/Smooth	1 x 6	16'
BTE1816	Boral Truexterior Trim Board - Wood Grain/Smooth	1 x 8	16'
BTE11216	Boral Truexterior Trim Board - Wood Grain/Smooth	1 x 12	16'
BTE54416	Boral Truexterior Trim Board - Wood Grain/Smooth	5/4 x 4	16'
BTE54616	Boral Truexterior Trim Board - Wood Grain/Smooth	5/4 x 6	16'



Trim Board Texture



Bead Board Texture

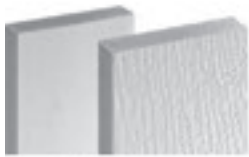


Boral Poly Ash Truexterior T&G Bead Boards

- Made with the revolutionary new poly-ash material, which addresses both the moisture- and movement-related issues commonly seen with other exterior materials, creating a balance of performance and aesthetics that cannot be found with other manmade alternatives.
- Edge and center bead or v groove profile.
- Easy to cut, route, drill and mill.
- Resistant to rotting, cracking, splitting and virtually free from termites.
- Maintains a high level of dimensional stability during periods of moisture and temperature changes.
- Approved for ground contact.
- Does not require end-sealing, special adhesives or other cumbersome and costly installation techniques.
- Can be painted any color with exterior grade latex paint.



Part#	Description	Size	Length
BTE58616BB	Boral Truexterior T&G Bead Board w/ 5" Reversible Face	5/8" x 6"	16'



Royal S4S Trimboard is reversible and available in a smooth/smooth or smooth/woodgrain finish.

Royal PVC Trim Boards

- Royal S4S Trimboard™ can be used in countless ways to trim a home and add long-lasting beauty and value. Its smooth, durable, 4-sided finish resists dirt buildup, while its “true square” edges provide cleaner installation. Reversible Royal S4S Trimboard comes ready to install, is paintable and is backed by a lifetime never rot warranty.
- Cannot be painted with dark colors.

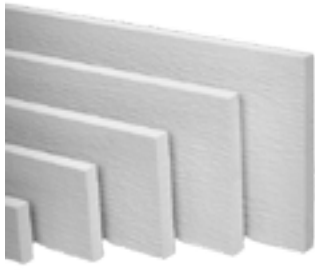
Part#	Description	Size	Act. Size	Length
TB44418	Royal PVC Trimboard - Reversible Woodgrain/Smooth	1 x 4	.75" x 3.5"	18'
TB44618	Royal PVC Trimboard - Reversible Woodgrain/Smooth	1 x 6	.75" x 5.5"	18'
TB44818	Royal PVC Trimboard - Reversible Woodgrain/Smooth	1 x 8	.75" x 7.25"	18'
TBS441018	Royal PVC Trimboard - Reversible Smooth/Smooth	1 x 10	.75" x 9.25"	18'
TBS441218	Royal PVC Trimboard - Reversible Smooth/Smooth	1 x 12	.75" x 11.25"	18'
TBS44418	Royal PVC Trimboard - Reversible Smooth/Smooth	1 x 4	.75" x 3.5"	18'
TBS44618	Royal PVC Trimboard - Reversible Smooth/Smooth	1 x 6	.75" x 5.5"	18'
TBS44818	Royal PVC Trimboard - Reversible Smooth/Smooth	1 x 8	.75" x 7.25"	18'
TBS54418	Royal PVC Trimboard - Reversible Smooth/Smooth	5/4 x 4	1" x 3.5"	18'
TBS54618	Royal PVC Trimboard - Reversible Smooth/Smooth	5/4 x 6	1" x 5.5"	18'
TBS54818	Royal PVC Trimboard - Reversible Smooth/Smooth	5/4 x 8	1" x 7.25"	18'
TBSS388	Royal PVC TrimBoard Sheetstock - S2S		0.375" x 48"	8'



PVC Bendable Brick Mould

- Bendable up to 180°.

Part#	Description	Act. Size	Length
TBBM125217	White WM 180 Bendable Brick Mould - PVC	1.25" x 2"	17'



James Hardie Fiber Cement Trim Boards - Non Stock

HardieTrim boards are perfect complements to your James Hardie® siding. Both products offer long-lasting protection from the elements, and a beautiful, natural look. James Hardie products are specifically engineered to withstand damage from moisture and rot, and will hold their own, come rain, sleet, or snow.

Part#	Description	Size	Act. Size	Length
FCT44412C	HardieTrim NT3 - Smooth	1 x 4	.75" x 3.5"	12'
FCT44612C	HardieTrim NT3 - Smooth	1 x 6	.75" x 5.5"	12'
FCT44812C	HardieTrim NT3 - Smooth	1 x 8	.75" x 7.25"	12'
FCT441012C	HardieTrim NT3 - Smooth	1 x 10	.75" x 9.25"	12'
FCT441212C	HardieTrim NT3 - Smooth	1 x 12	.75" x 11.25"	12'
FCT54412C	HardieTrim NT3 - Smooth	5/4 x 4	1" x 3.5"	12'
FCT54512C	HardieTrim NT3 - Smooth	5/4 x 5	1" x 4.5"	12'
FCT54612C	HardieTrim NT3 - Smooth	5/4 x 6	1" x 5.5"	12'
FCT54812C	HardieTrim NT3 - Smooth	5/4 x 8	1" x 7.25"	12'
FCT541012C	HardieTrim NT3 - Smooth	5/4 x 10	1" x 9.25"	12'
FCT541212C	HardieTrim NT3 - Smooth	5/4 x 12	1" x 11.25"	12'
FCTAA15412C	Artisan Accent HardieTrim NT3 - Smooth		1.5" x 4"	12'
FCTAA15412P	Artisan Accent HardieTrim NT3 - Smooth Primed		1.5" x 4"	12'
FCTAA15612C	Artisan Accent HardieTrim NT3 - Smooth		1.5" x 6"	12'
FCTAA15612P	Artisan Accent HardieTrim NT3 - Smooth Primed		1.5" x 6"	12'



James Hardie Fiber Cement Batten Strips - Non Stock

Rustic wood grain on front and smooth on the back.

Part#	Description	Size	Act. Size	Length
FCTBC	HardieTrim Batten Strips Rustic Grain/Smooth Color	1 x 3	.75" x 2.5"	12'
FCTBP	HardieTrim Batten Strips Rustic Grain/Smooth Primed	1 x 3	.75" x 2.5"	12'



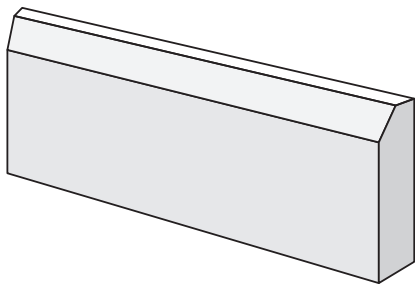
James Hardie Fiber Cement Crown Mould - Non Stock

Part#	Description	Size	Act. Size	Length
FCTCM44412C	HardieTrim Crown Mould - Fiber Cement	1 x 4	.75" x 3.25"	12'
FCTCM44612C	HardieTrim Crown Mould - Fiber Cement	1 x 6	.75" x 5.25"	12'



James Hardie Corner Trim - Non Stock

Part#	Description
FCTFT3	3.0 HardieTrim Corner Tabs - Full Case Only
FCTCT5.5	5.5 HardieTrim Corner Tabs - Full Case Only
FCTCT8	8.0 HardieTrim Corner Tabs - Full Case Only



James Hardie Fiber Cement Skirt Board - Non Stock

Part#	Description	Act. Size	Length
FCTSK54C	HardieTrim 5/4 Skirt Board - Fiber Cement	2.62" x 1"	16'



James Hardie PVC Brick Mould - Non Stock

Part#	Description	Act. Size	Length
FCTBRIMC	HardieTrim Brick Mould - PVC	1.25" x 2"	17'



James Hardie PVC Bed Mould - Non Stock

Part#	Description	Act. Size	Length
FCTBEDMC	HardieTrim Bed Mould - PVC	1.63" x .5"	16'



James Hardie PVC Base Cap Mould - Non Stock

Part#	Description	Act. Size	Length
FCTBCC	HardieTrim Base Cap - PVC	1.13" x .67"	16'



James Hardie PVC Drip Cap - Non Stock

Part#	Description	Act. Size	Length
FCTDCC	HardieTrim Drip Cap - PVC	1.63" x .67"	16'



James Hardie PVC Rams Crown - Non Stock

Part#	Description	Act. Size	Length
FCTRCC	HardieTrim Rams Crown - PVC	2" x 1.4"	16'



James Hardie PVC Rake Mould - Non Stock

Part#	Description	Act. Size	Length
FCTPMC	HardieTrim Rake Mould - PVC	2" x .63"	16'



James Hardie PVC Historic Sill - Non Stock

Part#	Description	Act. Size	Length
FCTHSC	HardieTrim Historic Sill - PVC	1.93" x 1.75"	16'



James Hardie PVC Shingle Mould - Non Stock

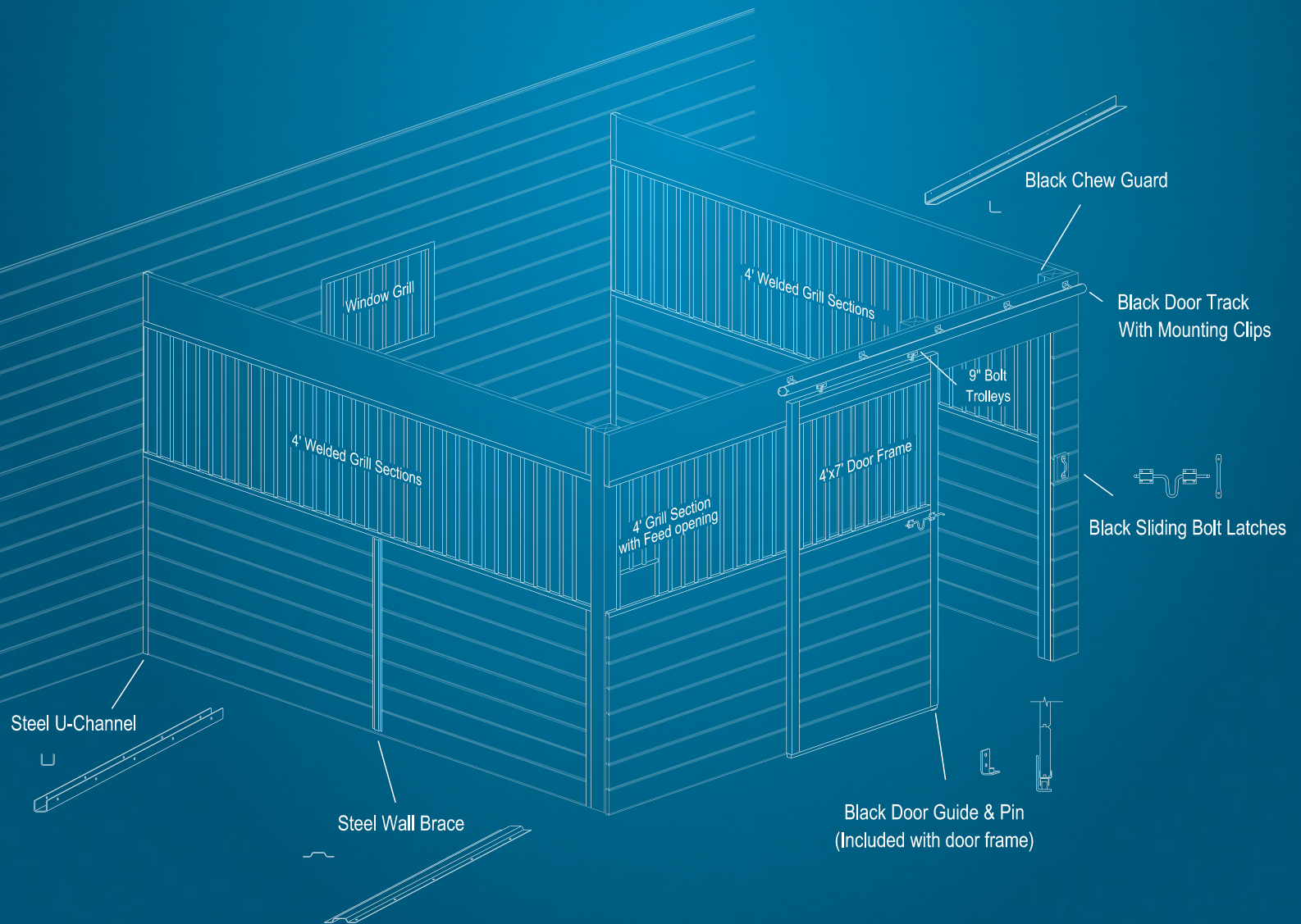
Part#	Description	Act. Size	Length
FCTSMC	HardieTrim Shingle Mould - PVC	1.63" x .61"	16'



James Hardie PVC Sub Sill - Non Stock

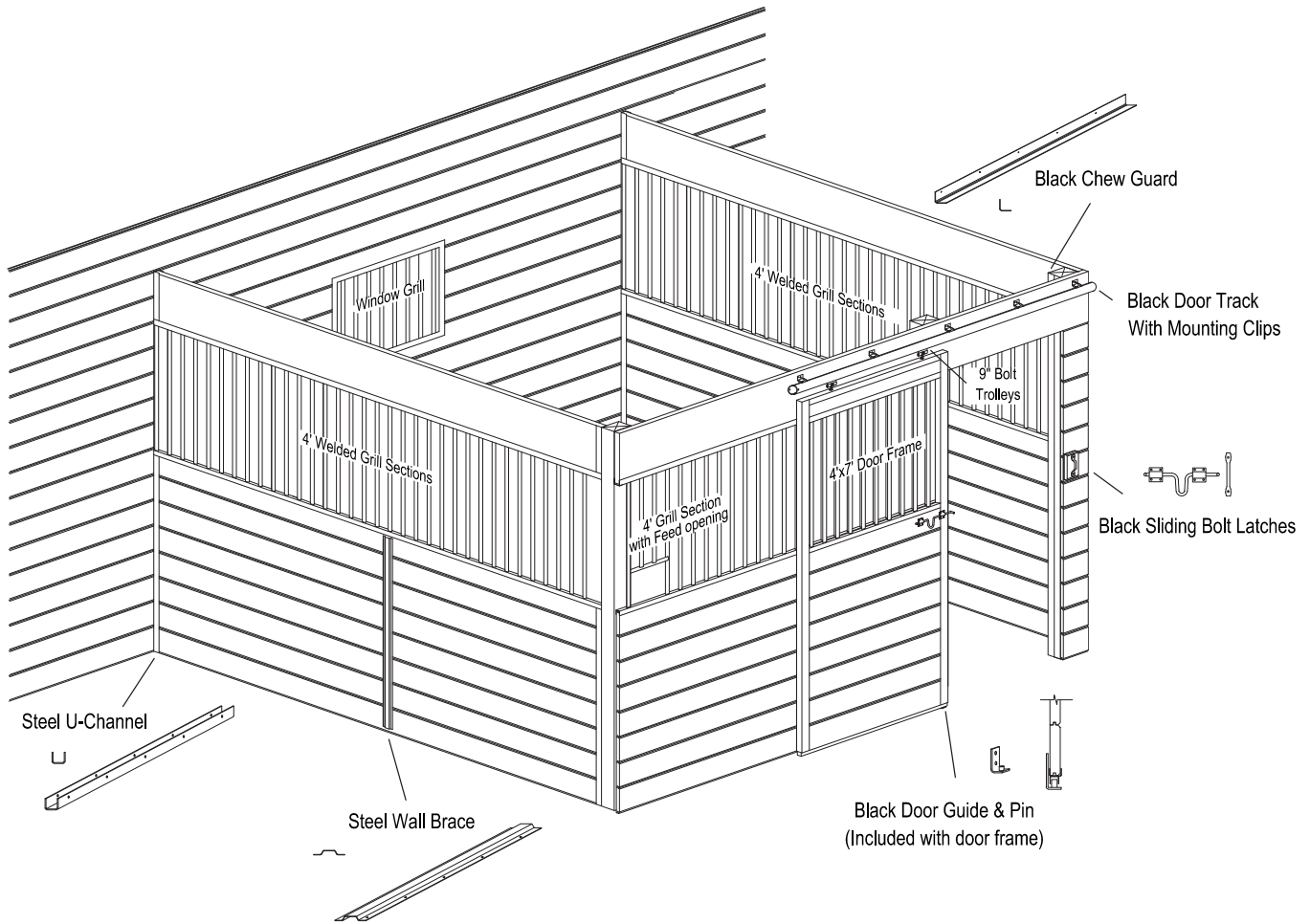
Part#	Description	Act. Size	Length
FCTSSC	HardieTrim Sub Sill - PVC	1.49" x 1.5"	16'

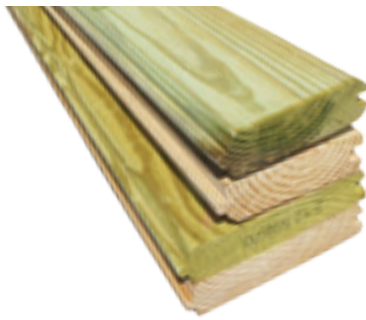
Horse Stall Components



Horse Stall Components Index

Tongue and Groove Pine (see Lumber).....	HSC3	Horseshoe Sliding Bolt Latch	HSC5
Chew Guard/Corner Angle	HSC3	Door Frame with Grill	HSC6
U-Channel	HSC3	Door Frame with Yoke Grill.....	HSC6
Wall Brace/Hat Channel	HSC3	Top Mount Door Latch	HSC6
Window Grill	HSC4	Black Track and Trolley Systems.....	HSC7
Solid Grill.....	HSC4	Flat Track Rails.....	HSC7
Grill with Feeder Opening	HSC4	Flat Track Horseshoe Trolley.....	HSC7
Swing-out Feeder Door	HSC4	Flat Track Strap Trolley.....	HSC7
Philip Black Pan Head Screw	HSC4	Flat Track Accessories	HSC7
Wall Hay Rack	HSC5	Wood Dutch Door	HSC8
Corner Hay Rack.....	HSC5	Steel Dutch Door	HSC8
Guide Pin	HSC5	Aluminum Dutch Door	HSC8
Standard Sliding Bolt Latch.....	HSC5	Aluminum Split Slider Dutch Door	HSC8





Tongue and Groove Pine (see Lumber)

Beautiful & durable horse stalls constructed with tongue & groove southern yellow pine 2x6 or 2x8 lumber fronts and partitions. All wood is surfaced on 4 sides for a smooth finish. Use treated lumber for the bottom two rows to resist rot and decay from contact with ground and manure. Yellow Pine is a beautiful wood that provides unequalled strength and accepts finishes well. The tongue and groove design provides a unified construction for strength and durability. Combine this with our powder-coated grilles and accessories for a truly finished appearance.

T&G Lumber



Chew Guard/Corner Angle

Part#	Description	Size	Length
HSCG4	Powder Coated Black Chew Guard - 20 Ga. Steel	1-1/2" x 1-1/2"	4'
HSCG	Powder Coated Black Chew Guard - 20 Ga. Steel	1-1/2" x 1-1/2"	8'

Chew Guard



U-Channel

Part#	Description	Length
HSUC4	Powder Coated Black U Channel - 14 Ga. Steel	4'
HSUC8	Powder Coated Black U Channel - 14 Ga. Steel	8'

U-Channel



Wall Brace/Hat Channel

Part#	Description	Length
HSWB4	Powder Coated Black Wall Brace	4'
HSWB	Powder Coated Black Wall Brace	8'

Wall Brace



Window Grill

Part#	Description	Size (w h)
HSWG32	Powder Coated Black Window Grill	35.5" x 23.5"
HSWG33	Powder Coated Black Window Grill	35.5" x 23.5"
HSWG3644	Powder Coated Black Window Grill	35.5" x 43.5"
HSWG3648	Powder Coated Black Window Grill	35.5" x 47.5"
HSWG43	Powder Coated Black Window Grill	47.5" x 35.5"



Solid Grill

Part#	Description	Size (w h)
HSGS2	Powder Coated Black Solid Grill - 14 ga	24" x 34"
HSGS4	Powder Coated Black Solid Grill - 14 ga	48" x 34"



Grill with Feeder Opening

Part#	Description	Feeder Opening	Size (w h)
HSG4FO	Powder Coated Black Grill with Feeder Opening	10" x 11"	48" x 34"



Swing-out Feeder Door

Part#	Description	Size (w h)
HSG2FD	Powder Coated Black Feeder Door	24" x 34"



Philip Black Pan Head Screw

Part#	Description	Length
HSS1BL	#12 Horse Stall Pan Head #3 Philip Screw Black - 100/bag	1-1/4"



Wall Hay Rack

Part#	Description
HSWHR	Powder Coated Black Wall Hay Rack



Corner Hay Rack

Part#	Description
HSCHR	Powder Coated Black Corner Hay Rack



Guide Pin

Part#	Description
HSGPO	Powder Coated Black Guide Pin



Standard Sliding Bolt Latch

Part#	Description
HSBSBL	Powder Coated Black Sliding Bolt Latch



Horseshoe Sliding Bolt Latch

Part#	Description
HSSBLH	Powder Coated Black Horseshoe Sliding Bolt Latch

Hay Racks

Guide Pin

Latches



Door Frame with Grill

Includes powder coated black Top Cap, Guide Channel, and Guide Pin

Part#	Description	Size
HSD4G	Powder Coated Black Door Frame with Grill	4' x 7'



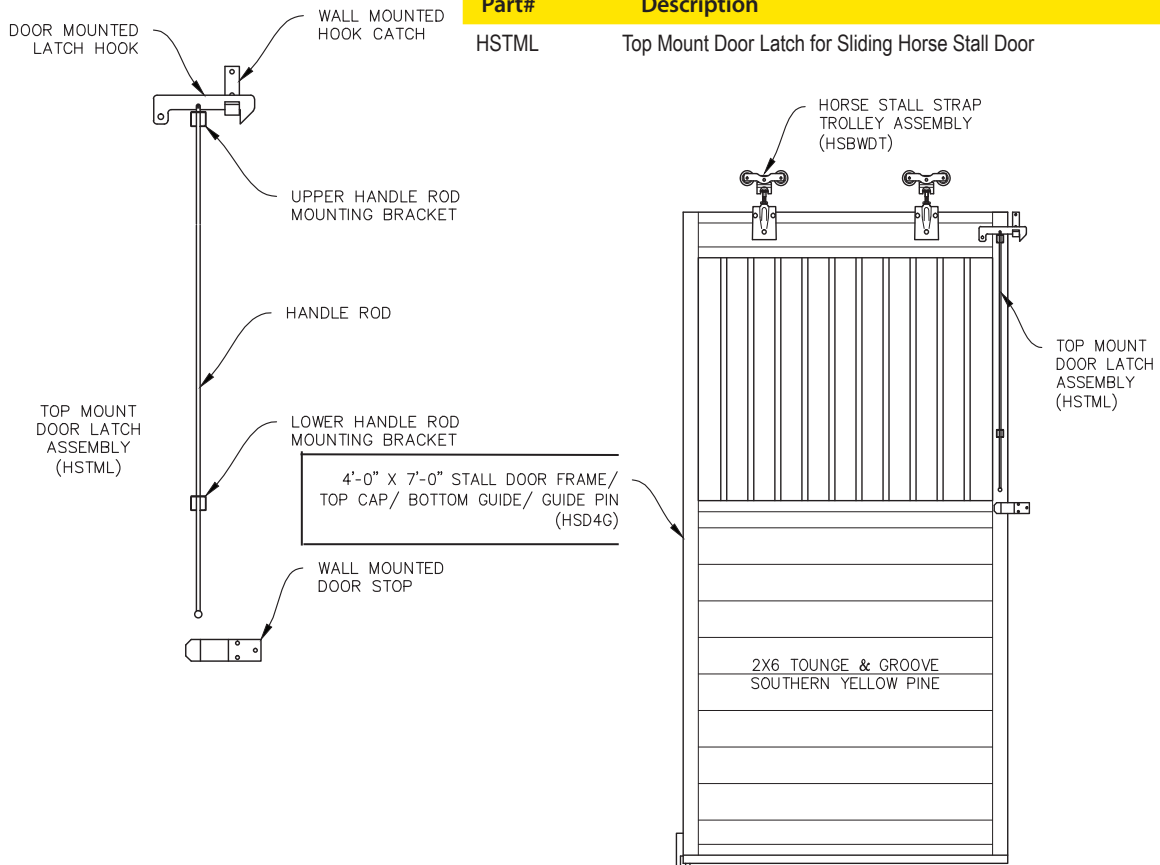
Door Frame with Yoke Grill

Includes powder coated black Top Cap, Guide Channel, and Guide Pin

Part#	Description	Size
HSYD	Powder Coated Black Door Frame with Yoke Grill	4' x 7'

Top Mount Door Latch

Part#	Description
HSTML	Top Mount Door Latch for Sliding Horse Stall Door





Black Track and Trolley Systems

Part#	Description	Length
HSBWDT	Pair Black Strap Trolley without Endcaps	
HSBT8	Black Side Mount Track W/Hangers	8'



Flat Track Rails

Part#	Description	Length
TCFT4	Black Classic Flat Track Rail with Mounting Hardware	4'
TCFT6	Black Classic Flat Track Rail with Mounting Hardware	6'
TCFT8	Black Classic Flat Track Rail with Mounting Hardware	8'
TCFT10	Black Classic Flat Track Rail with Mounting Hardware	10'

Track & Trolley

Flat Track



Flat Track Horseshoe Trolley

Part#	Description	Size
TCFTHM	Mini Black Classic Flat Track Horseshoe Trolley	3"
TCFTH	Black Classic Flat Track Horseshoe Trolley	5"



Flat Track Strap Trolley

Part#	Description	Size
TCFTSM	Mini Black Classic Flat Track Strap Trolley	3"
TCFTS	Black Classic Flat Track Strap Trolley	5"



Flat Track Accessories

Part#	Description	Size
TCFDH	Black Flat Track Door Handle with Six 1-1/4" Screws	11-1/8"
TCFDG	Black Flat Track Bottom Door Guide Stay Roller	
TCFTU	Black Flat Track Bottom Guide U Keeper	2-1/4"



DDWR



Wood Dutch Door

- Comes with Zinc latch and hinges and black chew guard (black hinges are optional)
- Hinges on Left or Right when standing on the outside, facing the door
- This Tongue & Groove door can be painted or stained to match your building colors
- Easy to install and easy to use

Part#	Description	Rough Opening	Size
DDW44	Wood Dutch Door With Cross Buck		4' x 4'
DDWL	Wood Dutch Door With Cross Buck	52" x 86.5"	4' x 7'
DDWR	Wood Dutch Door With Cross Buck	52" x 86.5"	4' x 7'

Steel Dutch Door

- Powder-coated to the color combination of your choice
- Will not rot
- Heavy-duty

Part#	Description	Rough Opening	Size
DDS44	Classic Steel Dutch Door	48.25" X 42.75"	48" x 42"
DDS	Classic Steel Dutch Door	48.25" X 84.25"	4' x 7'

Aluminum Dutch Door

- Lightweight but equal in strength to steel
- Rust and rot proof
- Window options available
- Made to the color combination of your choice

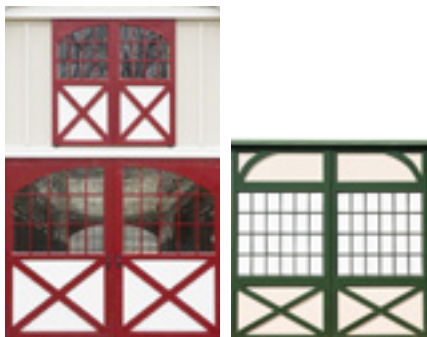
Part#	Description	Rough Opening	Size
DDA	Economy Aluminum Dutch Door	48" X 83"	4' x 7'



Aluminum Split Slider Dutch Door

- Economy or Elite Grade
- Lightweight but equal in strength to steel
- Rust and rot proof
- Tempered glass window options available including arch tops
- Many size and color combinations available

Part#	Description
DDSS	Aluminum Split Slider Dutch Door with Window



Cupolas & Weathervanes



Cupolas & Weathervanes Index

16" Cupola	CUP3	30" Pheasant Weathervane	CUP5
24" Cupola	CUP3	30" Tractor Weathervane	CUP5
36" Cupola	CUP3	30" Buck Weathervane.....	CUP6
48" Cupola	CUP3	30" Cow Weathervane.....	CUP6
Replacement Cupola Cap	CUP3	30" Duck Weathervane	CUP6
46" Yacht Weathervane.....	CUP4	30" Eagle Weathervane	CUP6
46" Eagle Weathervane	CUP4	30" Pig Weathervane.....	CUP6
46" Rooster Weathervane.....	CUP4	30" Antique Auto Weathervane.....	CUP7
46" Horse Weathervane.....	CUP4	30" Country Doctor Weathervane	CUP7
30" Horse Weathervane.....	CUP5	Flat Base	CUP7
30" Rooster Weathervane.....	CUP5	Clutch Base	CUP7
30" Sailboat Weathervane.....	CUP5	Replacement Directionals	CUP7



16" Cupola

Part#	Description	Size	Height
CUP16	16" Standard Cupola	16" x 16"	25"

All cupolas are made-to-order. Please reference our color charts for cupola color options.

Height measured from roof peak to cupola roof peak.



24" Cupola

Part#	Description	Size	Height
CUP24	24" Standard Cupola	24" x 24"	36"
CUP24COP	Copper Roof Option for 24" Cupola	24" x 24"	36"
CUP24WIN	24" Cupola with Window	24" x 24"	36"

All cupolas are made-to-order. Please reference our color charts for cupola color options.

Height measured from roof peak to cupola roof peak.



36" Cupola

Part#	Description	Size	Height
CUP36	36" Standard Cupola	36" x 36"	48"
CUP36COP	Copper Roof Option for 36" Cupola	36" x 36"	48"
CUP36WIN	36" Cupola with Window	36" x 36"	48"

All cupolas are made-to-order. Please reference our color charts for cupola color options.

Height measured from roof peak to cupola roof peak.



48" Cupola

Part#	Description	Size	Height
CUP48	48" Standard Cupola	48" x 48"	61"
CUP48COP	Copper Roof Option for 48" Cupola	48" x 48"	61"
CUP48WIN	48" Cupola with Window	48" x 48"	61"

All cupolas are made-to-order. Please reference our color charts for cupola color options.

Height measured from roof peak to cupola roof peak.



Replacement Cupola Cap

Part#	Description	Height
CUPCAP	Black Aluminum Cupola Top Cap with Screw Pack	4" x 4"



46" Yacht Weathervane

Part#	Description	Ornament Size	Height
CUP48WVSAI	Gold Bronze Yacht Weathervane - Cast Aluminum	18.25" L x 13.75" H	46"



46" Eagle Weathervane

Part#	Description	Ornament Size	Height
CUP48WVEAG	Gold Bronze Eagle Weathervane - Cast Aluminum	15" L x 17" H	46"



46" Rooster Weathervane

Part#	Description	Ornament Size	Height
CUP48WVROO	Gold Bronze Rooster Weathervane - Cast Aluminum	12.5" L x 12" H	46"



46" Horse Weathervane

Part#	Description	Ornament Size	Height
CUP48WVHOR	Gold Bronze Horse Weathervane - Cast Aluminum	14" L x 11.25" H	46"



30" Horse Weathervane

Part#	Description	Ornament Size	Height
CUP36WVHOR	Black Horse Weathervane - Cast Aluminum	10.5" L x 7" H	30"



30" Rooster Weathervane

Part#	Description	Ornament Size	Height
CUP36WVROO	Black Rooster Weathervane - Cast Aluminum	7" L x 8.5" H	30"



30" Sailboat Weathervane

Part#	Description	Ornament Size	Height
CUP36WVSAI	Black Sailboat Weathervane - Cast Aluminum	7" L x 8" H	30"



30" Pheasant Weathervane

Part#	Description	Ornament Size	Height
CUP36WVPHE	Black Pheasant Weathervane - Cast Aluminum	13.5" L x 8.75" H	30"



30" Tractor Weathervane

Part#	Description	Ornament Size	Height
CUP36WVTRAP	Painted Tractor Weathervane - Cast Aluminum	6" L x 8" H	30"
CUP36WVTRA	Black Tractor Weathervane - Cast Aluminum	6" L x 8" H	30"



30" Buck Weathervane

Part#	Description	Ornament Size	Height
CUP36WVBUC	Black Buck Weathervane - Cast Aluminum	9.5" L x 10.75" H	30"



30" Cow Weathervane

Part#	Description	Ornament Size	Height
CUP36WVCOW	Black Cow Weathervane - Cast Aluminum	11" L x 7" H	30"



30" Duck Weathervane

Part#	Description	Ornament Size	Height
CUP36WVDUC	Black Duck Weathervane - Cast Aluminum	8" L x 11" H	30"



30" Eagle Weathervane

Part#	Description	Ornament Size	Height
CUP36WVEAG	Black Eagle Weathervane - Cast Aluminum	9.75" L x 11.25" H	30"



30" Pig Weathervane

Part#	Description	Ornament Size	Height
CUP36WVPIG	Black Pig Weathervane - Cast Aluminum	9.5" L x 5.5" H	30"



30" Antique Auto Weathervane

Part#	Description	Ornament Size	Height
CUP36WVCAR	Black Antique Auto Weathervane - Cast Aluminum	11" L x 6" H	30"



30" Country Doctor Weathervane

Part#	Description	Ornament Size	Height
CUP36WVDOC	Black Country Doctor Weathervane - Cast Aluminum	13.5" L x 6" H	30"



Flat Base

Part#	Description
CUPWVFB	Flat Base for Cupola or Flat Surface

PLEASE NOTE: The Flat Base comes by default with all weathervane orders. If another mounting option is desired, please specify when you place your order.



Clutch Base

Part#	Description
CUPWVCB	Clutch Base for Roof Peak



Replacement Directionals

Part#	Description
CUP36WVDIRECTION	North-West-East-South Weathervane Directional
CUP36WVEASTWEST	West-East Weathervane Directional

Special Order Weathervanes

The following weathervane options are available for special order:

Classic Full-Bodied Weathervanes (Polished Copper or Verdigris Copper)

- Horse (40")
- Heron (44.5")
- Duck (37")
- Sailboat (49")
- Rooster (46")
- Deer (52")
- Eagle (58")

46" Traditional Full-Bodied Weathervanes (Gold-Bronze, Polished Copper, or Verdigris Copper)

- Eagle
- Yacht
- Horse
- Rooster

30" Full-Bodied Weathervanes (Gold-Bronze, Polished Copper, or Verdigris Copper)

- Goose
- Rooster
- Eagle
- Horse
- Country Doctor

30" Weathervanes (Black or Painted for Rooftop or Garden)

- Pheasant
- Tractor
- Buck
- Cow
- Duck
- Eagle
- Pig
- Antique Auto
- Country Doctor
- Hummingbirds
- Clipper Ship
- Loon
- Mare & Colt
- Sailboat
- Trout
- Rooster
- Motorcycle
- Moose
- Schooner
- Airplane
- Blue Heron
- Bear
- Black Lab
- Cardinal
- Cat
- Dear & Pine Trees
- Golfer
- Horse
- Liberty Flag
- Lighthouse
- Locomotive
- Elk
- German Shepherd
- Golden Retriever
- Fire Wagon

24" Weathervanes (Black)

- Country Doctor
- Eagle
- Hog
- Retriever
- Sailboat
- Duck
- Rooster
- Pheasant
- Horse
- Cow

Garden Weathervanes

- Butterfly
- Cow Over Moon
- Hummingbird

Roll Track Sliding Doors



Roll Track & Sliding Doors Index

Round Keyhole Track.....	DRT3	244 Bottom Rail.....	DRT8
Pendant Bolt Trolleys.....	DRT3	Bottom Rail for Guide.....	DRT8
Double Truck Trolleys.....	DRT3	395 Big Bottom Rail.....	DRT8
Strap Trolleys.....	DRT3	201 Bottom Rail.....	DRT8
Face Mount Brackets.....	DRT4	391 Big Side Rail.....	DRT9
Universal Double Bracket.....	DRT4	Side Rail.....	DRT9
Universal Bolt Bracket & Adapters.....	DRT4	Side Connector Rail.....	DRT9
Universal Brackets.....	DRT4	Big Side Connector Rail.....	DRT9
Adjustable Door Stop.....	DRT5	235 Steel Girt (Horizontal).....	DRT10
Non Adjustable Door Stop.....	DRT5	Big Guide Rail.....	DRT10
Jamb Mount Door Stop.....	DRT5	Bottom Guide Rail.....	DRT10
Stay Roller.....	DRT5	Square Track.....	DRT11
Chain Snugger.....	DRT6	Square Track Face Mount.....	DRT11
Latches.....	DRT6	Square Track Top Mount.....	DRT11
Door Pull.....	DRT6	Adjustable Square Track Trolleys.....	DRT12
Splice Collar.....	DRT6	Square Track Bolt Trolleys.....	DRT12
End Cap.....	DRT6	Square Track Replacement Trolley.....	DRT12
Adjustable Door Guide/Stop.....	DRT7	Square Track Bracket.....	DRT13
Floor Mount Door Guide/Stop.....	DRT7	Square Track Double Bracket.....	DRT13
Center Door Guide.....	DRT7	Square Track Splice Bracket.....	DRT13
Vinyl Seal.....	DRT7	Square Track Double Splice Bracket.....	DRT13
Brush Seal.....	DRT7		



Round Keyhole Track

Keyhole track offers versatility, strength and ease of use. This adaptable track style can be used with any sliding door variety or bracket type – and installs with a simple connection of brackets into keyholes before mounting.

Features:

- Keyhole Track can be utilized in both wood and metal frame construction for commercial, agriculture and metal building projects.
- When paired with available Delrin wheel trolleys, Keyhole Track can manage sliding doors weighing up to 600 pounds.
- Choose from a variety of bracket styles to accommodate track cover additions on doors up to 2-½" thick.
- Cylindrical design allows for self-cleaning and aligning with every use, positioning trolleys in the track's center and pushing away any dirt or debris build-up.

Part#	Description	Size
TCB8	Round Track - 14 ga Galvanized	8'
TCB10	Round Track - 14 ga Galvanized	10'
TCB12	Round Track - 14 ga Galvanized	12'
TCB14	Round Track - 14 ga Galvanized	14'
TCB16	Round Track - 14 ga Galvanized	16'
TCB18	Round Track - 14 ga Galvanized	18'
TCB20	Round Track - 14 ga Galvanized	20'



Pendant Bolt Trolleys

The Pendant Bolt installs through the top of the horizontal, allowing for easy adjustment and a perfect fit. For maximum flexibility, the offset bolt version offers four directions of adjustment: up, down, in and out.

Part#	Description	Size
T5302	Derlin Bolt Trolley	9"
T53026	Derlin Bolt Trolley - 4 Way Adjustable Pendant	6-1/2"



Double Truck Trolleys

Built to handle the heaviest sliding door panels, Double Truck Trolleys are the perfect choice for steel frame doors on Heavy Duty Tubular Track with Universal Bracketry.

Features

- The product design features four wheels per trolley, allowing it to support door weights up to 1200 pounds. Brackets spaced every 12" on center.
- An optional plate sits just below the top girt, preventing the bolt hole from distorting.

Part#	Description	Size
TTTR	Derlin Double Truck Trolley	9"



T714876

T5330

T5332

Strap Trolleys

Strap Trolleys attach to the front face of wood panel doors, with bolts that go through the panel for a solid hold.

Part#	Description
T714876	Derlin Trolley With Front & Back Strap
T5330	Strap Trolleys for Round Track - Top Adjustable
T5332	Side Bolt Trolley for Round Track



TTC



TFB

Face Mount Brackets

Designed for use on CannonBall's Keyhole Track line, Face Mount Brackets contain an integral rivet that interlocks into the keyhole slot. Simply tap the bracket into each slot and mount to the face of the header board.

Features:

- Simple assembly provides an easy way to install track on your building project.

Part#	Description
TTC	Track & Cover Bracket
TFB	Face Mount Bracket - (no cover)



Universal Double Bracket

The Universal Double Bracket – an ideal choice for double track runs – allows two lengths of Heavy Duty or Keyhole track to be installed in parallel for bypass sliding doors.

Features:

- Like the Universal Side Bracket, the Universal Double supports doors with weights over 600 pounds.
- Highly recommended for bypass sliding door configurations.
- The versatile design of the bracket allows for use as an end bracket, intermediate bracket or splice collar – depending on your building project's needs.

Part#	Description
TCBSBD	Double Side Bracket



TCBBHB



TSB



TTB

Universal Bolt Bracket & Adapters

Created to bridge post frame components into metal building projects, the Universal Bolt Bracket allow builders to convert Keyhole Track into Bolt Hung Track functionality.

Part#	Description	Size
TCBBHB	Bolt Hung Bracket 1/2" Bolt Welded to Loop Bracket	
TSB	Stud Bolts for Triangle Brackets with 2-3/8" Flat Washer	1-3/8"
TTB	Triangle Bracket with 2 Stud Bolts	



TCBSB



TCBCB

Universal Brackets

Designed for use on heavy weight sliding door projects utilizing Keyhole Track varieties, Universal Side Brackets and Universal Ceiling Brackets mount easily.

Features:

- Universal Ceiling Brackets can be utilized to mount directly to a ceiling beam or truss for added flexibility in tight spaces with limited head room.
- The versatile design of these brackets allow for use as end brackets, intermediate brackets, or splice collars.
- Both Universal Brackets support sliding doors with weights over 600 pounds (when used in conjunction with appropriate Heavy Duty Track and spaced every foot on center).

Part#	Description
TCBSB	Side Bracket - Not Keyhole
TCBCB	Ceiling Bracket - Not Keyhole



Adjustable Door Stop

Prevents door panels from opening or closing further than a predefined stopping point.

Part#	Description
TADJ	White Adjustable Door Stop Bumper
TADJBG	Galvanized Adjustable Door Stop Bumper



Non Adjustable Door Stop

Prevents door panels from opening or closing further than a predefined stopping point

Part#	Description
TDS	Galvanized Non Adjustable Door Stop Bumper



Jamb Mount Door Stop

Part#	Description
TJMS	Galvanized Jamb Mount Stop



TSMS



TLGS



N131524

Stay Roller

Functions similarly to a guide rail, but recommended for Kwik Frame Door Systems or solid wood panel doors smaller than 140 sq. ft.

Part#	Description
TSMS	Small Stay Roller
TLGS	Galvanized Adjustable Large Stay Roller
N131524	Stay Roller With Lag and Shield

Snugger

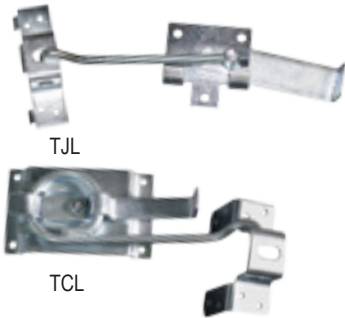


Chain Snugger

Prevents door panels from moving or rattling when closed and tightens as the door moves; available in several styles based on intended use.

Part#	Description
TCS	Chain Snugger for Wood Doors

Latches



Latches

Locks doors from the inside and pulls panels tighter against the building to reduce rattle.

Part#	Description
TJL	Adjustable Jamb Latch
TCL	Cam Latch

Door Pull



Door Pull

Assists with door opening and closing; a handle attached to door panels.

Part#	Description
TPW	White Door Pull Handle
TPG	Galvanized Door Pull Handle

Splice Collar



Splice Collar

Connects track lengths together to make a single, elongated track. NOTE: Shorter track lengths utilizing Splice Collars save on shipping and install easier than long track lengths.

Part#	Description
TCBS	Splice Collar

End Cap



End Cap

Attaches to open ends of track, preventing birds from nesting as well as dirt and debris build-up. NOTE: End Caps cannot be used as door stops.

Part#	Description
TEC	End Cap w. Bolt
TCBET	White Face Mount Cover End Trim - Pair



Adjustable Door Guide/Stop

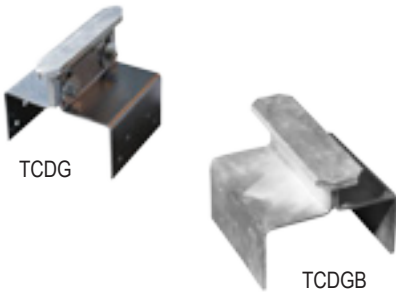
Guides the door along the building, reduces the amount of door sway and prevents opening or closing beyond a predefined stopping point.

Part#	Description
TDGSW	White Adjustable Door Guide/Stop
TDGSG	Galvanized Adjustable Door Guide/Stop



Floor Mount Door Guide/Stop

Part#	Description
T322	Pair 322 Floor Mount Guide



Center Door Guide

Part#	Description
TCDG	Center Door Guide for on Post
TCDGB	Big Center Door Guide for on Post



Vinyl Seal

A vinyl "fin" that fits into door frame channels to provide weather protection. Models available for side and bottom rails.

Part#	Description	Size
TWSSR	White Vinyl Weather Strip for Side Rails	1-1/4"
TWSBR	White Vinyl Weather Strip for #244 Bottom Rails	2"



Brush Seal

Similar to a bottom rail vinyl seal, but made up of wire brushes for increased durability.

Part#	Description
TBS	Brush Seal Strip for #244 Bottom Rails



244 Bottom Rail

Ideal for most sliding doors, the 244 Bottom Rail is used with a continuous guide rail to provide optimal wind resistance for the Kwik Frame Sliding Door System.

Features:

- Strong aluminum construction allows the 244 Bottom Rail to provide additional support for the door panel, saving cost and assembly time associated with an unnecessary bottom horizontal girt.
- Two built-in channels within the rail allow for the use of an optional vinyl or brush seal to keep out dust, dirt, rain and snow.
- Bottom rail design can conceal a guide rail or stay roller – preventing door sway and providing clean operation.

Part#	Description	Length
TBRGN8	# 244 - Bottom Guide Rail for Sliding Doors	8'
TBRGN10	# 244 - Bottom Guide Rail for Sliding Doors	10'
TBRGN12	# 244 - Bottom Guide Rail for Sliding Doors	12'
TBRGN14	# 244 - Bottom Guide Rail for Sliding Doors	14'
TBRGN16	# 244 - Bottom Guide Rail for Sliding Doors	16'
TBRGN20	# 244 - Bottom Guide Rail for Sliding Doors	20'



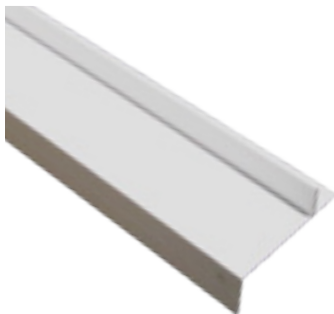
Bottom Rail for Guide

Part#	Description	Length
TBRG8	White Bottom Rail for Guide for Sliding Doors	8'
TBRG10	White Bottom Rail for Guide for Sliding Doors	10'
TBRG12	White Bottom Rail for Guide for Sliding Doors	12'
TBRG14	White Bottom Rail for Guide for Sliding Doors	14'
TBRG16	White Bottom Rail for Guide for Sliding Doors	16'
TBRG20	White Bottom Rail for Guide for Sliding Doors	20'



395 Big Bottom Rail

Part#	Description	Size	Length
TBRGB10	# 395 - Big Bottom Rail for Guide for Sliding Doors	3-1/2"	10'
TBRGB12	# 395 - Big Bottom Rail for Guide for Sliding Doors	3-1/2"	12'
TBRGB14	# 395 - Big Bottom Rail for Guide for Sliding Doors	3-1/2"	14'
TBRGB16	# 395 - Big Bottom Rail for Guide for Sliding Doors	3-1/2"	16'
TBRGB18	# 395 - Big Bottom Rail for Guide for Sliding Doors	3-1/2"	18'
TBRGB20	# 395 - Big Bottom Rail for Guide for Sliding Doors	3-1/2"	20'



201 Bottom Rail

Part#	Description	Length
TBR8	White # 201 - Bottom Rail for Sliding Doors	8'
TBR8B	Brown # 201 - Bottom Rail for Sliding Doors	8'
TBR10	White # 201 - Bottom Rail for Sliding Doors	10'
TBR10B	Brown # 201 - Bottom Rail for Sliding Doors	10'
TBR12	White # 201 - Bottom Rail for Sliding Doors	12'
TBR12B	Brown # 201 - Bottom Rail for Sliding Doors	12'
TBR14	White # 201 - Bottom Rail for Sliding Doors	14'
TBR14B	Brown # 201 - Bottom Rail for Sliding Doors	14'
TBR16	White # 201 - Bottom Rail for Sliding Doors	16'
TBR16B	Brown # 201 - Bottom Rail for Sliding Doors	16'
TBR20	White # 201 - Bottom Rail for Sliding Doors	20'



391 Big Side Rail

Part#	Description	Length
TSRB12	# 391 - Big Side Rail for Sliding Doors	3-1/2" 12'
TSRB14	# 391 - Big Side Rail for Sliding Doors	3-1/2" 14'
TSRB16	# 391 - Big Side Rail for Sliding Doors	3-1/2" 16'
TSRB20	# 391 - Big Side Rail for Sliding Doors	3-1/2" 20'



Side Rail

Part#	Description	Length
TSR8	White - Side Rail for Sliding Doors	8'
TSR8B	Brown - Side Rail for Sliding Doors	8'
TSR10	White - Side Rail for Sliding Doors	10'
TSR10B	Brown - Side Rail for Sliding Doors	10'
TSR12	White - Side Rail for Sliding Doors	12'
TSR12B	Brown - Side Rail for Sliding Doors	12'
TSR14	White - Side Rail for Sliding Doors	14'
TSR14B	Brown - Side Rail for Sliding Doors	14'
TSR16	White - Side Rail for Sliding Doors	16'
TSR16B	Brown - Side Rail for Sliding Doors	16'
TSR20	White - Side Rail for Sliding Doors	20'



Side Connector Rail

Part#	Description	Length
TCR8	White - Side Connector Rail for Sliding Doors	8'
TCR8B	Brown - Side Connector Rail for Sliding Doors	8'
TCR10	White - Side Connector Rail for Sliding Doors	10'
TCR10B	Brown - Side Connector Rail for Sliding Doors	10'
TCR12	White - Side Connector Rail for Sliding Doors	12'
TCR12B	Brown - Side Connector Rail for Sliding Doors	12'
TCR14	White - Side Connector Rail for Sliding Doors	14'
TCR14B	Brown - Side Connector Rail for Sliding Doors	14'
TCR16	White - Side Connector Rail for Sliding Doors	16'
TCR16B	Brown - Side Connector Rail for Sliding Doors	16'
TCR20	White - Side Connector Rail for Sliding Doors	20'



Big Side Connector Rail

Part#	Description	Size	Length
TCRB12	White - Big Side Connector Rail for Sliding Doors	3-1/2"	12'
TCRB14	White - Big Side Connector Rail for Sliding Doors	3-1/2"	14'
TCRB16	White - Big Side Connector Rail for Sliding Doors	3-1/2"	16'
TCRB20	White - Big Side Connector Rail for Sliding Doors	3-1/2"	20'

Steel Girt



235 Steel Girt (Horizontal)

Provides horizontal support on sliding door frames. Steel girts are manufactured with 20-gauge galvanized steel for long lasting, light weight, rust-free door.

Part#	Description	Size	Length
TSG8	# 235 - 20 Gauge Steel Girts for Sliding Doors	1.5" x 3.5"	8'
TSG10	# 235 - 20 Gauge Steel Girts for Sliding Doors	1.5" x 3.5"	10'
TSG12	# 235 - 20 Gauge Steel Girts for Sliding Doors	1.5" x 3.5"	12'
TSG14	# 235 - 20 Gauge Steel Girts for Sliding Doors	1.5" x 3.5"	14'
TSG16	# 235 - 20 Gauge Steel Girts for Sliding Doors	1.5" x 3.5"	16'
TSG18	# 235 - 20 Gauge Steel Girts for Sliding Doors	1.5" x 3.5"	18'
TSG20	# 235 - 20 Gauge Steel Girts for Sliding Doors	1.5" x 3.5"	20'

Guide Rails



Big Guide Rail

Part#	Description	Length
TGRB6	Big Guide Rail with 3 Brackets for Sliding Doors	6'
TGRB8	Big Guide Rail with 3 Brackets for Sliding Doors	8'
TGRB10	Big Guide Rail with 3 Brackets for Sliding Doors	10'

Bottom Guide Rail

Reduces the amount of door sway, helps prevent wind damage and provides easier door operation. Stay Guide lengths should measure 60% of the door panel width.

Part#	Description	Size
TGR5	Guide Rail System with 2 Brackets	5'
TGR10	Guide Rail System with 3 Brackets	10'



Square Track

Part#	Description	Length
TSQ8	Galvanized Square Track - 16 Gauge	8'
TSQ10	Galvanized Square Track - 16 Gauge	10'
TSQ12	Galvanized Square Track - 16 Gauge	12'
TSQ14	Galvanized Square Track - 16 Gauge	14'
TSQ16	Galvanized Square Track - 16 Gauge	16'
TSQ20	Galvanized Square Track - 16 Gauge	20'



Square Track Face Mount

Part#	Description	Length
TGC8	Galvanized Covered Square Track Face Mount - 16 Gauge	8'
TGC10	Galvanized Covered Square Track Face Mount - 16 Gauge	10'
TGC12	Galvanized Covered Square Track Face Mount - 16 Gauge	12'
TGC14	Galvanized Covered Square Track Face Mount - 16 Gauge	14'
TGC16	Galvanized Covered Square Track Face Mount - 16 Gauge	16'
TGC18	Galvanized Covered Square Track Face Mount - 16 Gauge	18'
TGC20	Galvanized Covered Square Track Face Mount - 16 Gauge	20'



Square Track Top Mount

Part#	Description	Length
TWC8	White Covered Square Track Top Mount - 16 Gauge	8'
TWC10	White Covered Square Track Top Mount - 16 Gauge	10'
TWC12	White Covered Square Track Top Mount - 16 Gauge	12'
TWC14	White Covered Square Track Top Mount - 16 Gauge	14'
TWC16	White Covered Square Track Top Mount - 16 Gauge	16'
TWC20	White Covered Square Track Top Mount - 16 Gauge	20'



TSSB



TSSSB

Square Track Brackets

Part#	Description
TSSB	Square Track Bracket
TSSSB	Square Track Splice Bracket



TDB



TDBS

Square Track Double Brackets

Part#	Description
TDB	Square Track Double Bracket
TDBS	Square Track Double Splice Bracket

Square Trolleys



T5042



T5047

Adjustable Square Track Trolleys

Part#	Description	Lbs. Rating
T35LB	Side Adjustable Square Track Trolleys - Pair	35 lbs. each
T5042	5042 Side Adjustable Square Track Trolleys - Pair	
T5047	5047 Top Adjustable Square Track Trolleys - Pair	32 lbs. each



T5022

Square Track Bolt Trolleys

Part#	Description	Size
T38T9	Square Track Bolt Trolleys w/ Threaded Bolt - Pair	9"
T5022	Square Track Bolt Trolleys w/ Delrin Bearings - Pair	9"



Square Track Replacement Trolley

Part#	Description	Lbs. Rating
T32REPLACE	Square Track Replacement Trolleys	32 lbs. each

Entry Doors



Entry Doors Index

Grizzly 6 Panel Pre Hung Door with Vinyl Jamb	DRS3	Single Cylinder Deadbolt	DRS9
Grizzly 9 Lite Pre Hung Door with Vinyl Jamb	DRS3	Semi Flush Lock Set.....	DRS9
Cannonball Fiberglass Door - #52	DRS4	Keyed Entrance Lever/Lever Latch.....	DRS9
Cannonball Steel Door - #1734.....	DRS4	Passage Lever/Lever Latch	DRS9
AJ R41 Series Aluminum Frame Doors	DRS5	Privacy Lever/Lever Latch	DRS9
AJ R51 Series White Steel Doors	DRS5	Keyed Lever with Hidden Cylinder for Panic Bar.....	DRS10
AJ Ceiling Access Door	DRS5	Keyed Lever with Exposed Cylinder for Panic Bar	DRS10
Door Sweep.....	DRS6	Panic Bar.....	DRS10
Header Snap Cap.....	DRS6	Through Bolt for Closer and Panic Bar.....	DRS10
Bulb Style Weatherstrip.....	DRS6	Commercial Door Hinges	DRS11
Grizzly Lite Kit	DRS6	Pull Plate with Pull.....	DRS11
Cannonball Lite Kits	DRS6	Stainless Steel Commercial Push Plate.....	DRS11
Special Order Fiberglass Door Window Options	DRS7	Stainless Steel Kick Plate.....	DRS11
Passage Door Latch.....	DRS8	Overlapping Strike Plate for Double Doors	DRS11
Entry Combo Lockset and Deadbolt.....	DRS8	Kick Down Door Holders.....	DRS12
Commercial 2 3/4" Keyed Lockset.....	DRS8	700 Series Hydraulic Door Closer.....	DRS12
Standard Keyed Lockset	DRS8	700 Series Hydraulic Door Closer Arm	DRS12
Interior Privacy Lockset	DRS8	600 Series Hydraulic Door Closer.....	DRS12

Door Swing Guide

To determine **OUTSWING** - Face door from outside building

Left Hinge Outswing

Hinges are on the left.
Door opens toward you.



STANDING OUTSIDE BUILDING

Right Hinge Outswing

Hinges are on the right.
Door opens toward you.



STANDING OUTSIDE BUILDING

To determine **INSWING** - Face door from inside building

Left Hinge Inswing

Hinges are on the left.
Door opens toward you.



STANDING INSIDE BUILDING

Right Hinge Inswing

Hinges are on the right.
Door opens toward you.



STANDING INSIDE BUILDING



DRWF26BL

Grizzly 6 Panel Pre Hung Door with Vinyl Jamb

A.B. Martin's Grizzly Series Door features a vinyl jamb and brick moulding and fiberglass door skin which creates a long lasting, paintable door. An excellent choice for residential, agricultural, and storage applications.

- Exposed surfaces are vinyl or fiberglass that can be painted and will not rot.
- Comes with vinyl brick mold.
- Pre-hung for easy installation.
- Insulated door panels.
- Prepped for lockset with a 2.75" backset.
- Weatherstrip ensures weather-tight installation.
- 25 year limited warranty.

Part#	Description	Size	Handing	R/O Size
DRWF26BL	6 Panel Pre Hung Door 4-1/2" Vinyl Jamb - Inswing	26 68	Left Hinge	32¾" x 82¾"
DRWF26BR	6 Panel Pre Hung Door 4-1/2" Vinyl Jamb - Inswing	26 68	Right Hinge	32¾" x 82¾"
DRWF28BL	6 Panel Pre Hung Door 4-1/2" Vinyl Jamb - Inswing	28 68	Left Hinge	34½" x 82¾"
DRWF28BR	6 Panel Pre Hung Door 4-1/2" Vinyl Jamb - Inswing	28 68	Right Hinge	34½" x 82¾"
DRWF3BL	6 Panel Pre Hung Door 4-1/2" Vinyl Jamb - Inswing	30 68	Left Hinge	38½" x 82¾"
DRWF3BL6J	6 Panel Pre Hung Door 6-9/16" Vinyl Jamb - Inswing	30 68	Left Hinge	38½" x 82¾"
DRWF3BLO	6 Panel Pre Hung Door 4-1/2" Vinyl Jamb - Outswing	30 68	Left Hinge	38½" x 82¾"
DRWF3BR	6 Panel Pre Hung Door 4-1/2" Vinyl Jamb - Inswing	30 68	Right Hinge	38½" x 82¾"
DRWF3BR6J	6 Panel Pre Hung Door 6-9/16" Vinyl Jamb - Inswing	30 68	Right Hinge	38½" x 82¾"
DRWF3BRO	6 Panel Pre Hung Door 4-1/2" Vinyl Jamb - Outswing	30 68	Right Hinge	38½" x 82¾"
DRWF6BL	6 Panel Pre Hung Door 4-1/2" Vinyl Jamb - Inswing	60 68	Left Active	75" x 82¾"
DRWF6BR	6 Panel Pre Hung Door 4-1/2" Vinyl Jamb - Inswing	60 68	Right Active	75" x 82¾"



DRWF69R

Grizzly 9 Lite Pre Hung Door with Vinyl Jamb

- Exposed surfaces are vinyl or fiberglass that can be painted and will not rot.
- Comes with vinyl brick mold.
- Pre-hung for easy installation.
- Insulated door panels.
- Prepped for lockset with a 2.75" backset.
- Weatherstrip ensures weather-tight installation.
- 25 year limited warranty.

Part#	Description	Size	Handing	R/O Size
DRWF289L	9 Lite Pre Hung Door 4-1/2" Vinyl Jamb - Inswing	28 68	Left Hinge	32¾" x 82¾"
DRWF289R	9 Lite Pre Hung Door 4-1/2" Vinyl Jamb - Inswing	28 68	Right Hinge	32¾" x 82¾"
DRWF39L	9 Lite Pre Hung Door 4-1/2" Vinyl Jamb - Inswing	30 68	Left Hinge	38½" x 82¾"
DRWF39L6J	9 Lite Pre Hung Door 6-9/16" Vinyl Jamb - Inswing	30 68	Right Hinge	38½" x 82¾"
DRWF39LO	9 Lite Pre Hung Door 4-1/2" Vinyl Jamb - Outswing	30 68	Left Hinge	38½" x 82¾"
DRWF39R	9 Lite Pre Hung Door 4-1/2" Vinyl Jamb - Inswing	30 68	Right Hinge	38½" x 82¾"
DRWF39R6J	9 Lite Pre Hung Door 6-9/16" Vinyl Jamb - Inswing	30 68	Left Hinge	38½" x 82¾"
DRWF39RO	9 Lite Pre Hung Door 4-1/2" Vinyl Jamb - Outswing	30 68	Right Hinge	38½" x 82¾"
DRWF69L	9 Lite Pre Hung Door 4-1/2" Vinyl Jamb - Inswing	60 68	Left Active	75" x 82¾"
DRWF69R	9 Lite Pre Hung Door 4-1/2" Vinyl Jamb - Inswing	60 68	Right Active	75" x 82¾"

Fiberglass Door



Cannonball Fiberglass Door - #52

- 1-5/8" thick insulated capped edge panel with aluminum jamb, header, and threshold.
- Pre-hung on 3 fixed-pin hinges with universal swing.
- Bored for 2-1/8" lockset, nylon lockset insert, and fully weather-stripped.
- All doors individually packaged.

Part#	Description	Size	Handing	R/O Size
D522468F	#52 Fiberglass Door Blank	24 68	Universal	30 ⁹ / ₁₆ " x 82 ³ / ₄ "
D522468FL	#52 Fiberglass Door w/ 20" x 24" Window	24 68	Left Hinge	30 ⁹ / ₁₆ " x 82 ³ / ₄ "
D522468FR	#52 Fiberglass Door w/ 20" x 24" Window	24 68	Right Hinge	30 ⁹ / ₁₆ " x 82 ³ / ₄ "
D522668F	#52 Fiberglass Door Blank	26 68	Universal	32 ⁹ / ₁₆ " x 82 ³ / ₄ "
D522668FL	#52 Fiberglass Door w/ 20" x 24" Window	26 68	Left Hinge	32 ⁹ / ₁₆ " x 82 ³ / ₄ "
D522668FR	#52 Fiberglass Door w/ 20" x 24" Window	26 68	Right Hinge	32 ⁹ / ₁₆ " x 82 ³ / ₄ "
D522868F	#52 Fiberglass Door Blank	28 68	Universal	34 ⁹ / ₁₆ " x 82 ³ / ₄ "
D522868FL	#52 Fiberglass Door w/ 20" x 24" Window	28 68	Left Hinge	34 ⁹ / ₁₆ " x 82 ³ / ₄ "
D522868FR	#52 Fiberglass Door w/ 20" x 24" Window	28 68	Right Hinge	34 ⁹ / ₁₆ " x 82 ³ / ₄ "
D523060F	#52 Fiberglass Door Blank	30 60	Universal	38 ⁹ / ₁₆ " x 73 ³ / ₄ "
D523060FL	#52 Fiberglass Door w/ 20" x 24" Window	30 60	Left Hinge	38 ⁹ / ₁₆ " x 74 ³ / ₄ "
D523060FR	#52 Fiberglass Door w/ 20" x 24" Window	30 60	Right Hinge	38 ⁹ / ₁₆ " x 74 ³ / ₄ "
D523068F	#52 Fiberglass Door Blank	30 68	Universal	38 ⁹ / ₁₆ " x 82 ³ / ₄ "
D523068FLB	#52 Fiberglass Door w/ 22" x 36" Window	30 68	Left Hinge	38 ⁹ / ₁₆ " x 82 ³ / ₄ "
D523068FRB	#52 Fiberglass Door w/ 22" x 36" Window	30 68	Right Hinge	38 ⁹ / ₁₆ " x 82 ³ / ₄ "
D523668F	#52 Fiberglass Door Blank	36 68	Universal	44 ⁹ / ₁₆ " x 82 ³ / ₄ "
D523668FLB	#52 Fiberglass Door w/ 22" x 36" Window	36 68	Left Hinge	44 ⁹ / ₁₆ " x 82 ³ / ₄ "
D523668FRB	#52 Fiberglass Door w/ 22" x 36" Window	36 68	Right Hinge	44 ⁹ / ₁₆ " x 82 ³ / ₄ "
D524068F	#52 Fiberglass Door Blank	40 68	Universal	50 ⁹ / ₁₆ " x 82 ³ / ₄ "
D524068FLB	#52 Fiberglass Door w/ 22" x 36" Window	40 68	Left Hinge	50 ⁹ / ₁₆ " x 82 ³ / ₄ "
D524068FRB	#52 Fiberglass Door w/ 22" x 36" Window	40 68	Right Hinge	50 ⁹ / ₁₆ " x 82 ³ / ₄ "
D526068F	#52 Fiberglass Door Blank	60 68	Universal	75 ⁹ / ₁₆ " x 82 ³ / ₄ "
D526068FLB	#52 Fiberglass Door w/ 22" x 36" Window	60 68	Left Active	75 ⁹ / ₁₆ " x 82 ³ / ₄ "
D526068FRB	#52 Fiberglass Door w/ 22" x 36" Window	60 68	Right Active	75 ⁹ / ₁₆ " x 82 ³ / ₄ "

Cannonball Steel Door - #1734

- Ideal for installing in sliding door.
- 1-3/4" thick insulated rolled edge panel.
- Pre-painted aluminum jamb with nailing flange jambs, header, and threshold.
- Pre-hung on 3 fixed-pin hinges.
- Bored for 2-1/8" lockset, nylon lockset insert, and fully weather-stripped.
- Screw holes pre-punched and screws included.
- Embossed 26 gauge steel skin.
- Universal swing.
- All doors individually packaged.

Part#	Description	Size	Handing	R/O Size
D572860S	#1734 Steel Door Blank w/ 1-7/8" Jam	28 60	Universal	33 ¹³ / ₁₆ " x 73 ⁵ / ₈ "
D573060S	#1734 Steel Door Blank w/ 1-7/8" Jam	30 60	Universal	37 ¹³ / ₁₆ " x 73 ⁵ / ₈ "
D573068S	#1734 Steel Door Blank w/ 1-7/8" Jam	30 68	Universal	37 ¹³ / ₁₆ " x 81 ⁵ / ₈ "

Steel Door





1 LITE



BLANK

AJ R41 Series Aluminum Frame Doors

- Prehung on a aluminum extrusion 3-1/2" wide with a 0.062 minimum wall thickness.
- Mounted to the frame by three, 12 ga zinc plated steel 4" x 4-1/2" fixed pin hinges.
- Nail fin option available upon request.
- No internal prep for panic bar, deadbolt, or closer.

Part#	Description	Size	Handing	R/O Size
D413068S	AJ R41 Aluminum Frame Door Blank	30 68	Universal	39 1/16" x 81 3/8"
D413068LH	AJ R41 Aluminum Frame Door w/ 22" x 22" 1 Lite	30 68	Left Hinge	39 1/16" x 81 3/8"
D413068RH	AJ R41 Aluminum Frame Door w/ 22" x 22" 1 Lite	30 68	Right Hinge	39 1/16" x 81 3/8"



9 LITE



BLANK

AJ R51 Series White Steel Doors

- Prehung on a 16 ga galvanized steel frame.
- Mounted to the frame by three, 12 ga zinc plated steel 4" x 4-1/2" fixed pin hinges.
- Master frame comes weatherstripped with bulb gasket.

Part#	Description	Size	Handing	R/O Size
D513068S	AJ R51 White Steel Door Blank	30 68	Universal	39 1/16" x 81 3/8"
D513068S9L	AJ R51 White Steel Door w/ 22" x 30" 9 Lite Window	30 68	Left Hinge	39 1/16" x 81 3/8"
D513068S9R	AJ R51 White Steel Door w/ 22" x 30" 9 Lite Window	30 68	Right Hinge	39 1/16" x 81 3/8"
D516068S9L	AJ R51 White Steel Door w/ 22" x 30" 9 Lite Window	60 68	Left Hinge	76 5/16" x 81 13/32"
D516068S9R	AJ R51 White Steel Door w/ 22" x 30" 9 Lite Window	60 68	Right Hinge	76 5/16" x 81 13/32"
D516068SL	AJ R51 White Steel Door Blank	60 68	Left Hinge	76 5/16" x 81 13/32"
D516068SR	AJ R51 White Steel Door Blank	60 68	Right Hinge	76 5/16" x 81 13/32"



AJ Ceiling Access Door

This high performance double wall ceiling access door is for buildings with an interior ceiling liner. The white 1" thick steel door panel has a white self-flashing pre-hung aluminum frame that can be mounted in trusses 24" or 48" on center.

- Hot dipped galvanized G60 steel skin
- 1" thick steel door with an expanded polystyrene core.
- White polyester painted steel sheet creates a seamless rigid panel with an insulating value of R6.5.

Part#	Description	Size	R/O Size
DCAD	AJ Ceiling Access Door	2' x 4'	227/16" x 347/16"

Door Sweep



Door Sweep

Part#	Description
D51DS	Door Sweeps 3100 Style for 51 series Doors - Top and Bottom the Same

Header Cap



Header Snap Cap

Part#	Description	Size
D51WSH	Header Snap Cap Parting Stop with Weatherstripping - fits R51 Door	36"

Weatherstrip



Bulb Style Weatherstrip

Part#	Description	Size
D51WSSIDE	Side Weatherstrip Bulb Style Self Adhesive Fits AJ R51 Door	79.94"
D51WSTOP	Header Weatherstrip Bulb Style Self Adhesive Fits AJ R51 Door	36"

Lite Kits



DLKB



DLKB9

Grizzly Lite Kit

Part#	Description	Size
DLKB	Window Lite Kit For Residential Doors - One Lite - No Grids	22" x 36"
DLKB9	Window Lite Kit to fit Vinyl Jamb 9 Lite Door	22" x 36"



Cannonball Lite Kits


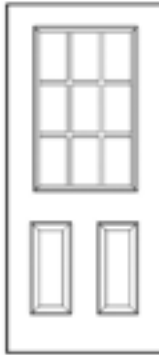


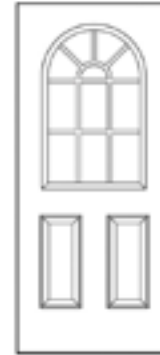

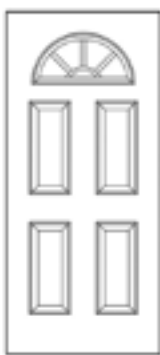
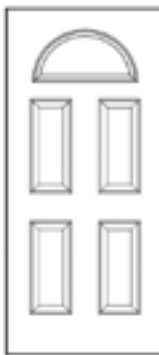
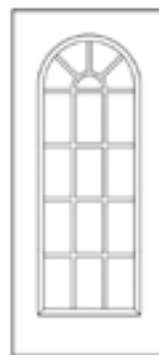

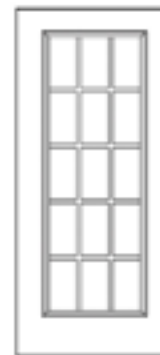


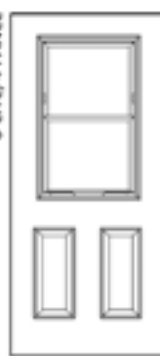

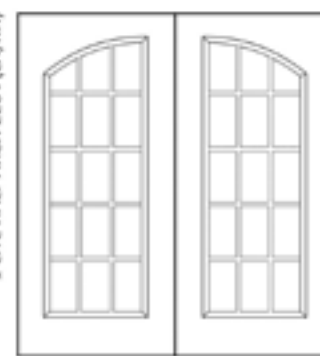
Part#	Description	Size
DLK2230	Lite Kit - Fits #52 Series Door	22" x 30"
DLKA	Non-insulated Lite Kit - Fits #52 Series Door	20" x 24"
DLKE	Non-insulated Lite Kit - Fits #52 Series Door	22" x 36"



Special Order Fiberglass Door Window Options

- Non-stock special order fiberglass doors with unique window options.
- Pre-hung with either primed wood, pine, or vinyl jambs.
- Insulated door with wood grained fiberglass skin.
- Available in white (prefinished or easily painted) and Tan (best for staining).
- 4-¹/₁₆" and 6-¹/₁₆" jambs.
- Allow 1-2 week lead times.

Part#	Description
DOOSO	Special Order Entry Door

 6-PANEL	 9-LITE/2-PANEL	 1-LITE 2236/2-PANEL	 4-LITE/4-PANEL	 11-LITE/2-PANEL	 1-LITE ARCH/2-PANEL
 5-LITE/4-PANEL	 1-LITE ARCH 2210/2-PANEL	 17-LITE	 1-LITE ARCH 2264	 15-LITE	 1-LITE 2264
 6-LITE/4-PANEL	 VENT LITE 2236/ 2-PANEL	 1-LITE HALF ARCH 2264 (LH/RH)		 15-LITE HALF ARCH (LH/RH)	

Available options
 Frame/Grid Color Options:
 White | Tan
 GBG (Grids between glass)
 also available
 BBG: (Blinds between glass)
 Rainglass
 Decorative Glass (Oval, Etc.)
 More options available -
 Please ask



Passage Door Latch

Part#	Description
DLPA	Passage Door Latch



Entry Combo Lockset and Deadbolt

Part#	Description
DLC	Entry Combo Lock Set And Deadbolt



Commercial 2 3/4" Keyed Lockset

Heavy-duty, backset, keyed lockset for commercial applications.

Part#	Description	Size
DLS	Commercial Heavy-duty Keyed Backset Lockset	2.75"



Standard Keyed Lockset

A good quality keyed lockset with an adjustable backset.

Part#	Description
DLOCK	Standard Keyed Door Lockset w/ Adjustable Backset



Interior Privacy Lockset

Part#	Description
DLPI	Interior Privacy Lockset - Knob Both Sides



Single Cylinder Deadbolt

Part#	Description
DLD	Single Cylinder Deadbolt



Semi Flush Lock Set

A low profile lock set with a small lever for use with an inset in a sliding door.

Part#	Description
DLF	Semi Flush Lock Set For Entry Door Set In Sliding Doors



Keyed Entrance Lever/Lever Latch

Part#	Description
DLLS	Keyed Entrance Lever/Lever Latch



Passage Lever/Lever Latch

Part#	Description
DLLPA	Passage Lever/Lever Latch



Privacy Lever/Lever Latch

Part#	Description
DLLP	Privacy Lever/Lever Latch

Lever Locksets



Keyed Lever with Hidden Cylinder for Panic Bar

- The key cylinder is inside the lever handle.
- For panic bar only.

Part#	Description
-------	-------------

DLEVER	Keyed Lever w/ Key Cylinder in Lever Handle for Panic Bar Only
--------	--



Keyed Lever with Exposed Cylinder for Panic Bar

- The key cylinder is above the lever handle.
- For panic bar only.

Part#	Description
-------	-------------

DLEVERM	Keyed Lever w/ Key Cylinder Above Lever Handle for Panic Bar Only
---------	---

Panic Bar



Panic Bar

Part#	Description
-------	-------------

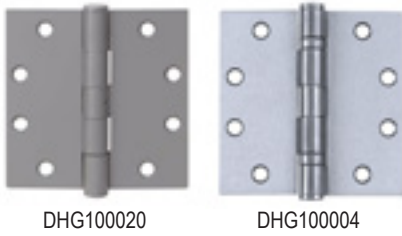
DPANIC	Panic Bar
--------	-----------



Through Bolt for Closer and Panic Bar

Part#	Description	Size
-------	-------------	------

DTB	Thru Bolt for Closer and Panic Bar - 4 PK	1.75"
-----	---	-------



Commercial Door Hinges

Part#	Description	Size
DHG100020	Commercial Door Hinge	4.5" x 5"
DHG100004	Commercial Door Hinge w/ Ballbearing	4.5" x 4.5"

Hinges



Pull Plate with Pull

Part#	Description
DDT100067	Pull Plate with Pull

Pull Plate



Stainless Steel Commercial Push Plate

Part#	Description	Size
DDT100072	Commercial Push Plate Satin Stainless Steel	3.5" x 15"

Push Plate



Stainless Steel Kick Plate

Part#	Description	Size
DDT100055	Kick Plate Satin Stainless Steel	6" x 30"
DDT100056	Kick Plate Satin Stainless Steel	6" x 34"
DDT100072	Kick Plate Satin Stainless Steel	8" x 34"

Kick Plate



Overlapping Strike Plate for Double Doors

Part#	Description
DSP	Overlapping Strike Plate For Double Doors

Strike Plate

Door Holders



DDT100007



DDT100008

Kick Down Door Holders

Part#	Description	Size
DDT100007	Kick Down Door Holder - Cast Brass	4"
DDT100008	Kick Down Door Holder - Cast Aluminum	4"

Door Closer



700 Series Hydraulic Door Closer

- Heavy-duty commercial grade hydraulic door closer.
- 1 adjustable 1-6 spring power.
- Includes standard arm.

Part#	Description
DCLOSE	Hydraulic Door Closer 700 Series w/ Standard Arm



700 Series Hydraulic Door Closer Arm

Part#	Description
DCLOSEARM	Hold Open Arm Only for 700 Series Door Closer

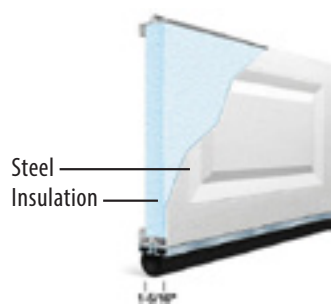


600 Series Hydraulic Door Closer

Part#	Description
DCLOSE600	Hydraulic Door Closer 600 Series w/ Hold Open Arm

Overhead Garage Doors





Silver Series Garage Doors

- Two-layer construction for energy efficiency and enhanced durability
- Thick vinyl-backed polystyrene insulation for added energy efficiency
- 5500 has 1-5/8" polystyrene insulation (R-value = 6.3)



Decorative panel edging and natural embossed woodgrain texture improve appearance close-up and from the curb.



Plain - Traditional Window Option



Sunset 503 - Special Order Window Option



5500 Series Garage Door

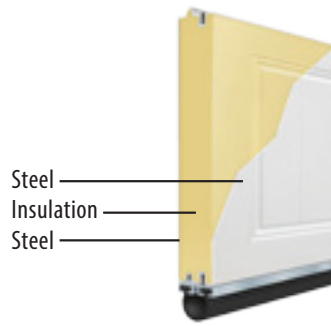
Part#	Description	Window	Size
OH87	N/S 5500 Overhead Door Blank		9' x 8'
OH87W	N/S 5500 Overhead Door with Windows	•	9' x 9'
OH97	5500 Overhead Door Blank		9' x 7'
OH97W	5500 Overhead Door with Windows	•	9' x 7'
OH98	5500 Overhead Door Blank		9' x 8'
OH98W	5500 Overhead Door with Windows	•	9' x 8'
OH910	N/S 5500 Overhead Door Blank		9' x 10'
OH108	5500 Overhead Door Blank		10' x 8'
OH108W	5500 Overhead Door with Windows	•	10' x 8'
OH1095500	5500 Overhead Door Blank		10' x 9'
OH109W5500	5500 Overhead Door with Windows	•	10' x 9'
OH10105500	5500 Overhead Door Blank		10' x 10'
OH1010W5500	5500 Overhead Door with Windows	•	10' x 10'
OH128	N/S 5500 Overhead Door Blank		12' x 8'
OH128W	N/S 5500 Overhead Door with Windows	•	12' x 8'
OH1210	5500 Overhead Door Blank		12' x 10'
OH1210W	5500 Overhead Door with Windows	•	12' x 10'
OH1212	5500 Overhead Door Blank		12' x 12'
OH1212W	5500 Overhead Door with Windows	•	12' x 12'
OHSO	N/S 5500 Special Order Overhead Door		

N/S = non-stock. All non-stock doors are available for special order. Allow 2-3 weeks lead-time.

*Overhead doors are available in 3" height increments between 6' - 7' and 7.5' - 12' high. (7'3" doors are not available.)

Gold Series Garage Doors

- Not currently in-stock, but available for special order
 - Elegant raised, long and flush panel designs for improved curb appeal
 - Three-layer construction provides maximum energy efficiency, the quietest operation and superior durability
 - Prefinished, stucco textured flush interior for beauty inside and out
 - 7200 has 2" Intellicore® polyurethane insulation (R-value = 18.4)
 - Can be painted to match your home's exterior.
- Please visit <http://info.garagedoors.com/lrv> for paint instructions on Intellicore® models.



Decorative panel edging and natural embossed woodgrain texture improve appearance close-up and from the curb.



PAINT SYSTEM
LIMITED WARRANTY
LIFETIME

WINDOW
LIMITED WARRANTY
10
YEAR

HARDWARE
LIMITED WARRANTY
3
YEAR

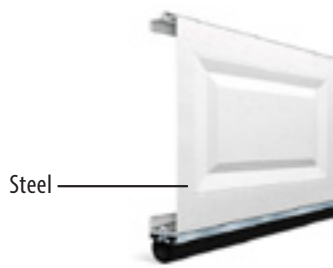
7200 Series Garage Door (non-stock)

Part#	Description
OHSO	N/S 7200 Special Order Overhead Door

N/S = non-stock. All non-stock doors are available for special order. Allow 2-3 weeks lead-time.

*Overhead doors are available in 3" height increments between 6' - 7' and 7.5' - 12' high. (7'3" doors are not available.)

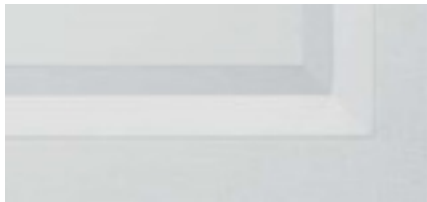
Garage Door



Steel

Bronze Series Garage Doors

- Not currently in-stock, but available for special order
- One-layer (non-insulated) 25 gauge steel construction that is durable and economical



Decorative panel edging and natural embossed woodgrain texture improve appearance close-up and from the curb.



4200 Series Garage Door (non-stock)

Part#	Description
OHSO	N/S 4200 Special Order Overhead Door

N/S = non-stock. All non-stock doors are available for special order. Allow 2-3 weeks lead-time.

*Overhead doors are available in 3" height increments between 6' - 7' and 7.5' - 12' high. (7'3" doors are not available.)

Vinyl Door Stop



Vinyl Door Stop

Part#	Description	Size
VDS8	White Vinyl Door Stop for Overhead Doors	8'
VDS9	White Vinyl Door Stop for Overhead Doors	9'
VDS10	White Vinyl Door Stop for Overhead Doors	10'
VDS12	White Vinyl Door Stop for Overhead Doors	12'
VDS14	White Vinyl Door Stop for Overhead Doors	14'
VDS16	White Vinyl Door Stop for Overhead Doors	16'
VDS16BN	Brown Vinyl Door Stop for Overhead Doors	16'
VDS16CLAY	Clay Vinyl Door Stop for Overhead Doors	16'

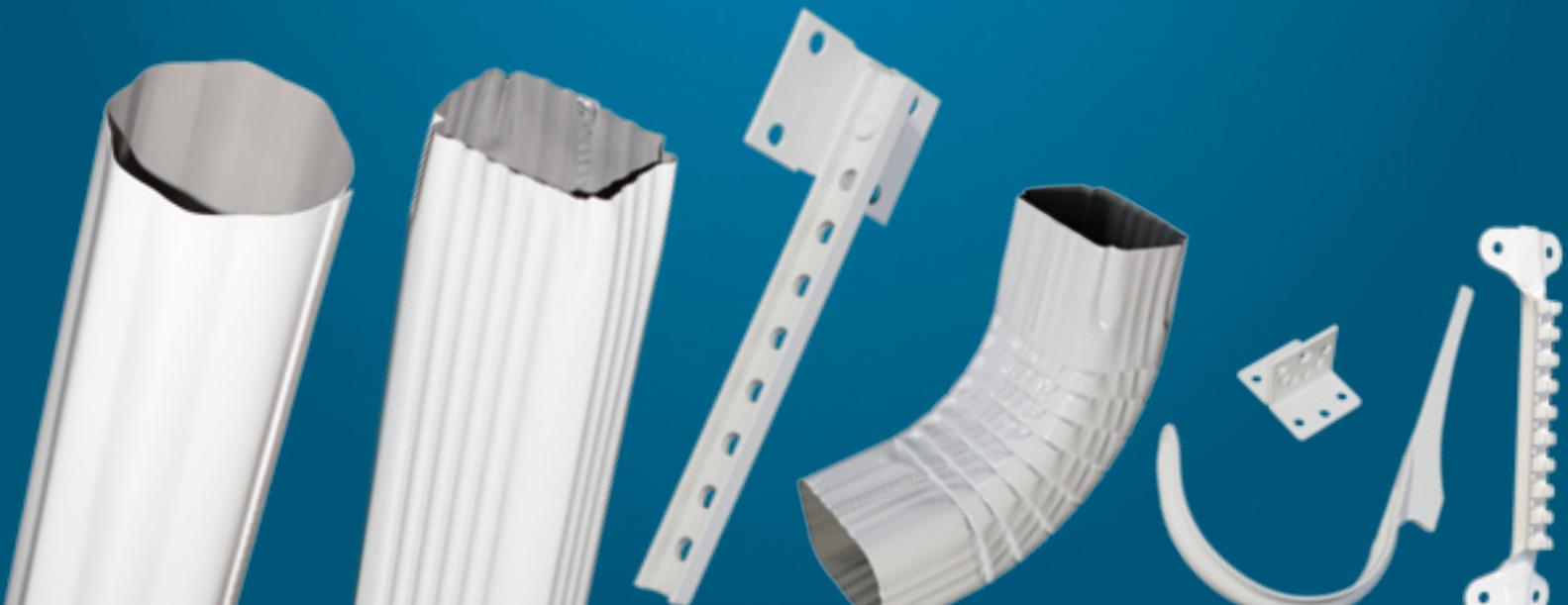
Mounting Angle



Mounting Angle

Part#	Description	Size
OHMOUNT	Mounting Angle for Overhead Doors	10'

Gutters & Accessories



Gutters & Accessories Index

Half Round Gutter.....	GUT3	Pipe Clip.....	GUT11
K-Style Gutter.....	GUT3	Wire Strainers.....	GUT12
Round Corrugated Downspout.....	GUT3	PVC Splash Blocks.....	GUT12
Square Corrugated Downspout.....	GUT3	Aluminum Pop Rivets.....	GUT12
Round Corrugated Elbow.....	GUT4	5 oz. Pliogrip Seam Sealer Tube.....	GUT12
Square Corrugated Elbow.....	GUT4	Spring Clip.....	GUT12
#10 Combination Hanger - Circle & Shank for Half Round Gutter	GUT5	Nuts & Bolts.....	GUT12
Gem Circle for Half Round Gutter.....	GUT5	Universal Conductor Band.....	GUT12
Hidden Hanger for K-Gutter with ¼" Screw.....	GUT5	Copper Half Round Gutter.....	GUT13
#6 Shank - Steel.....	GUT6	Copper Slip Joint for Half Round Gutter.....	GUT13
#8 Shank.....	GUT6	Copper End Caps for Half Round Gutter.....	GUT13
#10 Shank for Fascia.....	GUT6	Copper Miters for Half Round Gutter.....	GUT13
#11 Shank for Nailing to Exposed Rafter.....	GUT6	Copper Round Wire Strainer.....	GUT13
#12 Shank for Nailing to Sheeting - ½ Pitch.....	GUT6	Copper Downspout.....	GUT14
#30 Shank for Adjustable Pitch Rafters & Fascia.....	GUT7	Copper Downspout.....	GUT14
Extension Shank.....	GUT7	Copper Funnel.....	GUT14
Ferrule.....	GUT7	Copper Round B-Style Outlet.....	GUT14
End Cap for Half Round Gutter.....	GUT7	Copper Rack & Brass Key.....	GUT14
End Cap for K-Gutter.....	GUT7	Copper #10 Combination Hanger - Circle & Shank.....	GUT15
Inside Miter for Half Round Gutter.....	GUT8	Copper Gem Circle.....	GUT15
Outside Miter for Half Round Gutter.....	GUT8	#6 Copper Shank for Ogee or Crown Molding.....	GUT15
Inside Miter for K-Gutter.....	GUT8	#10 Copper Shank for Fascia.....	GUT15
Outside Miter for K-Gutter.....	GUT8	#11 Copper Shank for Nailing to Exposed Rafter.....	GUT15
Cut Off Diverter for K-Gutter.....	GUT8	#12 Copper Shank for Nailing to Sheeting ½ Pitch.....	GUT16
Slip Joint for Half Round Gutter.....	GUT9	#30 Copper Shank for Adjustable Pitch Rafters and Fascia.....	GUT16
Slip Joint for K-Gutter.....	GUT9	Copper Shank Extension.....	GUT16
Oval Funnel.....	GUT9	Copper Masonry & Wood Drives.....	GUT16
End Piece for Half Round Gutter.....	GUT9	Copper #6 Drive.....	GUT16
Slip Joint for K-Gutter.....	GUT9	Brass Spring Clip for Half Round Gutter.....	GUT17
Wide Flange Pop Rivet Oval Outlet for 5" K-Gutter.....	GUT10	Brass Nuts & Bolts.....	GUT17
Pop Rivet Round Outlet for 5" K-Gutter.....	GUT10	Copper Pop Rivets.....	GUT17
Wide Flange Pop Rivet Oval Outlet for 5" or 6" K-Gutter.....	GUT10	Hinged Gutter Guard for Half Round Gutter.....	GUT18
Wide Flange Round Outlet for Half Round Gutter.....	GUT10	Hinged Gutter Guard for K-Gutter.....	GUT18
Wide Flange B-style Outlet for Half Round Gutter.....	GUT10	Water Fall Gutter Guard for K-Gutter.....	GUT18
Stamped Round Sickle Hook for Wood.....	GUT11	RayTec Gutter Guard for K-Gutter.....	GUT18
Rack & Key.....	GUT11	Drop-in Gutter Guard for K-Gutter.....	GUT18
Masonry & Wood Drives.....	GUT11	Leaf Relief Gutter Guard for K-Gutter.....	GUT18
#6 Drive.....	GUT11		



Half Round Gutter

Part#	Description	Size	Length
H510W	White H/R Gutter 10' - .027 Aluminum	5"	10'
H510B	Brown H/R Gutter 10' - .027 Aluminum	5"	10'
H510G	Galvanized H/R Gutter 10' - 26 Gauge Steel	5"	10'
H520W	White H/R Gutter 20' - .027 Aluminum	5"	20'
H520B	Brown H/R Gutter 20' - .027 Aluminum	5"	20'
H520G	Galvanized H/R Gutter 20' - 26 Gauge Steel	5"	20'
H610W	White H/R Gutter 10' - .027 Aluminum	6"	10'
H610B	Brown H/R Gutter 10' - .027 Aluminum	6"	10'
H610G	Galvanized H/R Gutter 10' - 26 Gauge Steel	6"	10'
H620W	White H/R Gutter 20' - .027 Aluminum	6"	20'
H620B	Brown H/R Gutter 20' - .027 Aluminum	6"	20'
H620G	Galvanized H/R Gutter 20' - 26 Gauge Steel	6"	20'



K-Style Gutter

Part#	Description	Size	Length
K5W	White K Gutter - .032 Aluminum (sold by the linear foot)	5"	LF
K5B	Brown K Gutter - .032 Aluminum (sold by the linear foot)	5"	LF
K610W	White K Gutter 10' - .032 Aluminum	6"	10'
K610B	Brown K Gutter 10' - .032 Aluminum	6"	10'
K620W	White K Gutter 20' - .032 Aluminum	6"	20'
K620B	Brown K Gutter 20' - .032 Aluminum	6"	20'



Round Corrugated Downspout

Part#	Description	Size	Length
H3DW	White R/C Downspout - .019 Aluminum	3"	10'
H3DB	Brown R/C Downspout - .019 Aluminum	3"	10'
H3DG	Galvanized R/C Downspout - 26 Gauge	3"	10'
H4DW	White R/C Downspout - .024 Aluminum	4"	10'
H4DB	Brown R/C Downspout - .024 Aluminum	4"	10'
H4DG	Galvanized R/C Downspout - 26 Gauge	4"	10'



Square Corrugated Downspout

Part#	Description	Size	Length
K23DW	White R/C Downspout - .019 Aluminum	2" x 3"	10'
K23DB	Brown R/C Downspout - .019 Aluminum	2" x 3"	10'
K34DW	Galvanized R/C Downspout - 26 Gauge	3" x 4"	10'
K34DB	White R/C Downspout - .024 Aluminum	3" x 4"	10'
K45DW	Brown R/C Downspout - .024 Aluminum	4" x 5"	10'

Round Elbows



Round Corrugated Elbow

Part#	Description	Size
H3EBW	White R/C Elbow - .019 Aluminum	3"
H3EBB	Brown R/C Elbow - .019 Aluminum	3"
H3EBG	Galvanized R/C Elbow - 26 Gauge	3"
H4EBW	White R/C Elbow - .024 Aluminum	4"
H4EBB	Brown R/C Elbow - .024 Aluminum	4"
H4EBG	Galvanized R/C Elbow - 26 Gauge	4"

K-style Elbows



A-STYLE



B-STYLE

Square Corrugated Elbow

Part#	Description	Style	Size
K23AW	White A Elbow - .016 Aluminum	A	2" x 3"
K23AB	Brown A Elbow - .016 Aluminum	A	2" x 3"
K23BW	White B Elbow - .016 Aluminum	B	2" x 3"
K23BB	Brown B Elbow - .016 Aluminum	B	2" x 3"
K34AW	White A Elbow - .019 Aluminum	A	3" x 4"
K34AB	Brown A Elbow - .019 Aluminum	A	3" x 4"
K34BW	White B Elbow - .019 Aluminum	B	3" x 4"
K34BB	Brown B Elbow - .019 Aluminum	B	3" x 4"
K45AW	White A Elbow - .024 Aluminum	A	4" x 5"
K45BW	White B Elbow - .024 Aluminum	B	4" x 5"



#10 Combination Hanger - Circle & Shank for Half Round Gutter

Part#	Description	Size
H5CHWS	White H/R #10 Combination Hanger - Steel	5"
H5CHW	White H/R #10 Combination Hanger - Aluminum	5"
H5CHB	Brown H/R #10 Combination Hanger - Aluminum	5"
H5CHG	Galvanized H/R #10 Combination Hanger - Galvanized Steel	5"
H6CHWS	White H/R #10 Combination Hanger - Steel	6"
H6CHW	White H/R #10 Combination Hanger - Aluminum	6"
H6CHB	Brown H/R #10 Combination Hanger - Aluminum	6"
H6CHG	Galvanized H/R #10 Combination Hanger - Galvanized Steel	6"



Gem Circle for Half Round Gutter

Part#	Description	Size
H5CWS	White H/R Circle - Steel	5"
H5CW	White H/R Circle - Aluminum	5"
H5CB	Brown H/R Circle - Aluminum	5"
H5CG	Galvanized H/R Circle - Steel	5"
H6CWS	White H/R Circle - Steel	6"
H6CW	White H/R Circle - Aluminum	6"
H6CB	Brown H/R Circle - Aluminum	6"
H6CG	Galvanized H/R Circle - Steel	6"



Hidden Hanger for K-Gutter with 1/4" Screw

Part#	Description	Size
K5H	Galvanized Hidden Hangers w/ Screw	5"
K6H	Galvanized Hidden Hangers w/ Screw	6"



#6 Shank - Steel

Part#	Description
H6SW	White #6 Shank - Steel
H6SB	Brown #6 Shank - Steel
H6SG	Galvanized #6 Shank - Steel



#8 Shank

Part#	Description
H8G	Galvanized #8 Shank



#10 Shank for Fascia

Part#	Description
H10W	White #10 Shank - Painted Galvanized Steel
H10B	Brown #10 Shank - Painted Galvanized Steel
H10G	Galvanized #10 Shank - Steel



#11 Shank for Nailing to Exposed Rafter

Part#	Description
H11W	White #11 Shank - Aluminum
H11B	Brown #11 Shank - Aluminum
H11G	Galvanized #11 Shank - Steel



#12 Shank for Nailing to Sheeting - 1/3 Pitch

Part#	Description
H12W	White #12 Shank - Painted Galvanized Steel
H12B	Brown #12 Shank - Painted Galvanized Steel
H12G	Galvanized #12 Shank - Steel



#30 Shank for Adjustable Pitch Rafters & Fascia

Part#	Description
H30W	White #30 Shank - Aluminum
H30B	Brown #30 Shank - Aluminum
H30G	Galvanized #30 Shank - Steel



Extension Shank

Part#	Description	Size
HESW	White Extension Shank - Aluminum	6-3/4"
HESB	Brown Extension Shank - Aluminum	6-3/4"
HESG	Galvanized #30 Shank - Steel	6-3/4"



Ferrule

Part#	Description	Size
K5FE	Ferrule - Mill Finish Aluminum	5"
K6FE	Ferrule - Mill Finish Aluminum	6"



End Cap for Half Round Gutter

Part#	Description	Size
H5ECW	White H/R End Cap - Aluminum	5"
H5ECB	Brown H/R End Cap - Aluminum	5"
H5ECG	Galvanized H/R End Cap - Steel	5"
H6ECW	White H/R End Cap - Aluminum	6"
H6ECB	Brown H/R End Cap - Aluminum	6"
H6ECG	Galvanized H/R End Cap - Steel	6"



End Cap for K-Gutter

Part#	Description	Size
K5ECW	White K-style End Cap - Aluminum	5"
K5ECB	Brown K-style End Cap - Aluminum	5"
K6ELW	White K-style Left End Cap - Aluminum	6"
K6ERW	White K-style Right End Cap - Aluminum	6"
K6ECB	Brown K-style End Cap - Aluminum	6"

H/R Miters



Inside Miter for Half Round Gutter

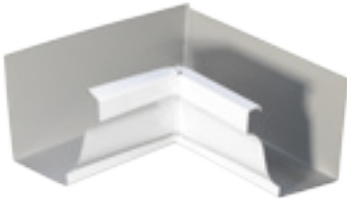
Part#	Description	Size
H5MISW	White Inside H/R Miter - Aluminum	5"
H5MISB	Brown Inside H/R Miter - Aluminum	5"
H5MISG	Galvanized Inside H/R Miter - 26 Gauge	5"
H6MISW	White Inside H/R Miter - Aluminum	6"
H6MISB	Brown Inside H/R Miter - Aluminum	6"
H6MISG	Galvanized Inside H/R Miter - 26 Gauge	6"



Outside Miter for Half Round Gutter

Part#	Description	Size
H5MOSW	White Outside H/R Miter - Aluminum	5"
H5MOSB	Brown Outside H/R Miter - Aluminum	5"
H5MOSG	Galvanized Outside H/R Miter - 26 Gauge	5"
H6MOSW	White Outside H/R Miter - Aluminum	6"
H6MOSB	Brown Outside H/R Miter - Aluminum	6"
H6MOSG	Galvanized Outside H/R Miter - 26 Gauge	6"

K-style Miters



Inside Miter for K-Gutter

Part#	Description	Size
K5MISW	White Inside K-style Miter - Aluminum	5"
K5MISB	Brown Inside K-style Miter - Aluminum	5"
K6MISW	White Inside K-style Miter - Aluminum	6"
K6MISB	Brown Inside K-style Miter - Aluminum	6"



Outside Miter for K-Gutter

Part#	Description	Size
K5MOSB	White Outside K-style Miter - Aluminum	5"
K5MOSB	Brown Outside K-style Miter - Aluminum	5"
K6MOSW	White Outside K-style Miter - Aluminum	6"
K6MOSB	Brown Outside K-style Miter - Aluminum	6"

Cut Off Diverter



Cut Off Diverter for K-Gutter

Part#	Description	Size
K23CW	White Cut Off Diverter - Aluminum	2" x 3"



Slip Joint for Half Round Gutter

Part#	Description	Size
H5SJW	White H/R Slip Joint - Aluminum	5"
H5SJB	Brown H/R Slip Joint - Aluminum	5"
H5SJG	Galvanized H/R Slip Joint - 26 Gauge	5"
H6SJW	White H/R Slip Joint - Aluminum	6"
H6SJB	Brown H/R Slip Joint - Aluminum	6"
H6SJG	Galvanized H/R Slip Joint- 26 Gauge	6"



Slip Joint for K-Gutter

Part#	Description	Size
K5SJW	White K-style Slip Joint - Aluminum	5"
K5SJB	Brown K-style Slip Joint - Aluminum	5"



Oval Funnel

Part#	Description	Size
H3FW	White Oval Funnel - Aluminum	3"
H3FB	Brown Oval Funnel - Aluminum	3"
H3FG	Galvanized Oval Funnel - Steel	3"
H4FW	White Oval Funnel - Aluminum	4"
H4FB	Brown Oval Funnel - Aluminum	4"
H4FG	Galvanized Oval Funnel- Steel	4"



End Piece for Half Round Gutter

Part#	Description	Size
H3OEW	White H/R End Piece - Aluminum	5" x 3"
H3OEB	Brown H/R End Piece - Aluminum	5" x 3"
H3OEG	Galvanized H/R End Piece - Steel	5" x 3"
H4OEG	Galvanized H/R End Piece - Steel	6" x 4"



Slip Joint for K-Gutter

Part#	Description	Size
K23OEW	White K-style End Piece - Aluminum	5" x 3"
K23OEB	Brown K-style End Piece - Aluminum	5" x 3"



Wide Flange Pop Rivet Oval Outlet for 5" K-Gutter

Part#	Description	Size
K23OT	K-style WF Oval Outlet - Aluminum	2" x 3"



Pop Rivet Round Outlet for 5" K-Gutter

Part#	Description	Size
K23OTR	Round Pop Rivet Outlet Tube - Aluminum	2-3/4"



Wide Flange Pop Rivet Oval Outlet for 5" or 6" K-Gutter

Part#	Description	Size
K34OT	K-Style WF Oval Outlet - Aluminum	3" x 4"



H30TG

H40TG

Wide Flange Round Outlet for Half Round Gutter

Part#	Description	Size
H30TG	Galvanized - H/R WF Round Outlet - Steel	3"
H40TG	Galvanized - H/R WF Round Outlet - Steel	4"



Wide Flange B-style Outlet for Half Round Gutter

Part#	Description	Size
H30TW	White H/R WF B-style Outlet - Aluminum	3"
H30TB	Brown H/R WF B-style Outlet - Aluminum	3"
H40TW	White H/R WF B-style Outlet - Aluminum	4"
H40TB	Brown H/R WF B-style Outlet - Aluminum	4"

Stamped Round Sickle Hook for Wood



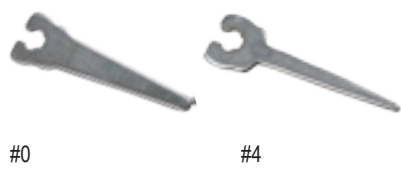
Part#	Description	Size
HSH3W	White H/R Sickle Hook - Painted Galvanized Steel	3"
HSH3G	Galvanized H/R Sickle Hook - Steel	3"
HSH4W	White H/R Sickle Hook - Painted Galvanized Steel	4"
HSH4B	Brown H/R Sickle Hook - Painted Galvanized Steel	4"
HSH4G	Galvanized H/R Sickle Hook - Steel	4"

Rack & Key



Part#	Description
HRKW	White Rack and Key - Aluminum
HRKB	Brown Rack and Key - Aluminum
HRKG	Galvanized Rack and Key - Steel
HKEY	Key Only - Aluminum

Masonry & Wood Drives



Part#	Description
HD0	Galvanized #0 Masonry Drive - Steel
HD4	Galvanized #4 Wood Drive - Steel

#6 Drive



Part#	Description
HD6W	White #6 Drive - Aluminum
HD6B	Brown #6 Drive - Aluminum
HD6G	Galvanized #6 Drive - Steel

Pipe Clip



Part#	Description	Size
KPC3W	White Pipe Clip - Aluminum	2" x 3"
KPC3B	Brown Pipe Clip - Aluminum	2" x 3"
KPC4W	White Pipe Clip - Aluminum	3" x 4"
KPC4B	Brown Pipe Clip - Aluminum	3" x 4"

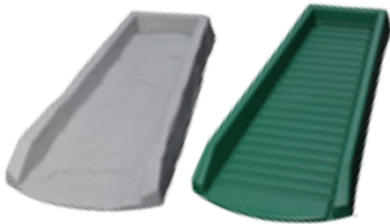
Wire Strainers



Wire Strainers

Part#	Description	Size
H3WS	Wire Strainer - Aluminum	3"
H4WS	Wire Strainer - Aluminum	4"

Accessories



Y3004-12

Y3002-12

PVC Splash Blocks

Part#	Description
Y3004-12	Slate Gray Splash Block - PVC
Y3002-12	Green Splash Block - PVC



Aluminum Pop Rivets

Part#	Description	Size	Pack Qt.
KPRW	White Pop Rivets - Aluminum	1-1/2"	100
KPRB	Brown Pop Rivets - Aluminum	1-1/2"	100

5 oz. Pliogrip Seam Sealer Tube

Part#	Description	Size
PG	Pliogrip Seam Sealer Tube	5 Oz

Spring Clip

Part#	Description
HWCW	White Spring Clips - Aluminum
HWCB	Brown Spring Clips - Aluminum
HWCG	Galvanized Spring Clips - Steel

Nuts & Bolts

Part#	Description
HNB	Galvanized Nuts and Bolts 50 pack - Steel
HNBEACH	Galvanized Nuts and Bolts Each - Steel

Universal Conductor Band

• 2 Bands Recommended every 10' of downspout

Part#	Description	Size
KUBW	White Universal Conductor Band - Aluminum	1.5" x 12.5"
KUBB	Brown Universal Conductor Band - Aluminum	1.5" x 12.5"
KUBG	Galvanized Universal Conductor Band - Steel	1.5" x 12.5"



Copper Half Round Gutter

Part#	Description	Size	Length
HC510	Copper H/R Gutter 10' - 16 Oz	5"	10'
HC520	Copper H/R Gutter 20' - 16 Oz	5"	20'
HC610	Copper H/R Gutter 10' - 16 Oz	6"	10'
HC620	Copper H/R Gutter 20' - 16 Oz	6"	20'

Gutters



Copper Slip Joint for Half Round Gutter

Part#	Description	Size
HC5SJ	Copper H/R Slip Joint - 16 Oz	5"
HC6SJ	Copper H/R Slip Joint - 16 Oz	6"

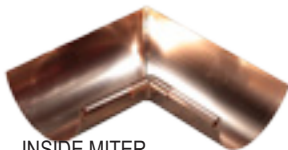
Slip Joints



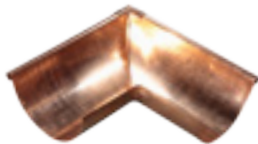
Copper End Caps for Half Round Gutter

Part#	Description	Size
HC5EC	Copper H/R End Caps - 16 Oz	5"
HC6EC	Copper H/R End Caps - 16 Oz	6"

End Caps



INSIDE MITER



OUTSIDE MITER

Copper Miters for Half Round Gutter

Part#	Description	Size
HC5MIS	Copper H/R Inside Miter - 16 Oz	5"
HC6MIS	Copper H/R Inside Miter - 16 Oz	6"
HC6MIS	Copper H/R Outside Miter - 16 Oz	5"
HC6MOS	Copper H/R Outside Miter- 16 Oz	6"

Round Miters



Copper Round Wire Strainer

Part#	Description	Size
HC3WS	Copper Wire Strainer	3"
HC4WS	Copper Wire Strainer	4"

Wire Strainers

Downspouts



ROUND CORRUGATED



SMOOTH ROUND

Copper Downspout

Part#	Description	Size
HC3DS	Copper Round Corrugated Downspout 10' - 16 Oz	3" x 10'
HC3DSS	Copper Smooth Round Downspout 10' - 16 Oz	3" x 10'

Round Elbows



ROUND CORRUGATED



SMOOTH ROUND

Copper Downspout

Part#	Description	Size
HC3EB	Copper Round Corrugated Elbow - 16 Oz	3"
HC3EBS	Copper Smooth Round Elbow - 16 Oz	3"
HC4EB	Copper Round Corrugated Elbow - 16 Oz	4"
HC4EBS	Copper Smooth Round Elbow - 16 Oz	4"

Funnel



Copper Funnel

Part#	Description	Size
HC3F	Copper Funnel - 16 Oz	3"

Outlet Tubes



Copper Round B-Style Outlet

Part#	Description	Size
HC3OT	Copper B-Style Outlet for 5" H/R Gutter - 16 Oz	3"
HC4OT	Copper B-Style Outlet for 5" & 6" H/R Gutter - 16 Oz	4"

Rack & Key



Copper Rack & Brass Key

Part#	Description
HCRK	Copper Rack and Key
HCKEY	Brass Key Only

Hangers



Copper #10 Combination Hanger - Circle & Shank

Part#	Description	Size
HC5CH	Copper H/R #10 Combination Hanger	5"
HC6CH	Copper H/R #10 Combination Hanger	6"

Shanks



Copper Gem Circle

Part#	Description	Size
HC5C	Copper H/R Circle	5"
HC6C	Copper H/R Circle	6"



#6 Copper Shank for Ogee or Crown Molding

Part#	Description
HC6S	Copper #6 Shank



#10 Copper Shank for Fascia

Part#	Description
HC10S	Copper #10 Shank



#11 Copper Shank for Nailing to Exposed Rafter

Part#	Description
HC11S	Copper #11 Shank



#12 Copper Shank for Nailing to Sheeting 1/3 Pitch

Part#	Description
HC12S	Copper #12 Shank



#30 Copper Shank for Adjustable Pitch Rafters and Fascia

Part#	Description
HC30S	Copper #30 Shank



Copper Shank Extension

Part#	Description
HCES	Copper Shank Extension



#0



#4

Copper Masonry & Wood Drives

Part#	Description
HC0D	Brass #0 Masonry Drive
HC4D	Copper #4 Wood Drive



Copper #6 Drive

Part#	Description
HC6D	Copper #6 Drive



Brass Spring Clip for Half Round Gutter

Part#	Description
HCWC	Brass H/R Spring Clip



Brass Nuts & Bolts

Part#	Description
HCNB50	Brass Nuts and Bolts - 50 pack



Copper Pop Rivets

Part#	Description	Size
HCPR	Copper Pop Rivets	1-1/2"



Hinged Gutter Guard for Half Round Gutter

Part#	Description	Size	Length
H5GG	Hinged H/R Gutter Guard 3' - Aluminum	5"	3'
H6GG	Hinged H/R Gutter Guard 3' - Aluminum	6"	3'
HC5GG	Copper H/R Hinged Gutter Guard 3'	5"	3'
HC6GG	Copper H/R Hinged Gutter Guard 3'	6"	3'



Hinged Gutter Guard for K-Gutter

Part#	Description	Size	Length
K5GGH	Hinged K-style Gutter Guard 3' - Aluminum	5"	3'



Water Fall Gutter Guard for K-Gutter

Part#	Description	Size	Length
K5GGWF	Water Fall K-style Gutter Guard 8' - PVC	5"	8'



RayTec Gutter Guard for K-Gutter

Part#	Description	Size	Length
K5GG	RayTec K-style Gutter Guard 4' - Aluminum	5"	4'
K5GG10	RayTec K-style Gutter Guard 10' - Aluminum	5"	10'
K6GG	RayTec K-style Gutter Guard 4' - Aluminum	6"	4'



Drop-in Gutter Guard for K-Gutter

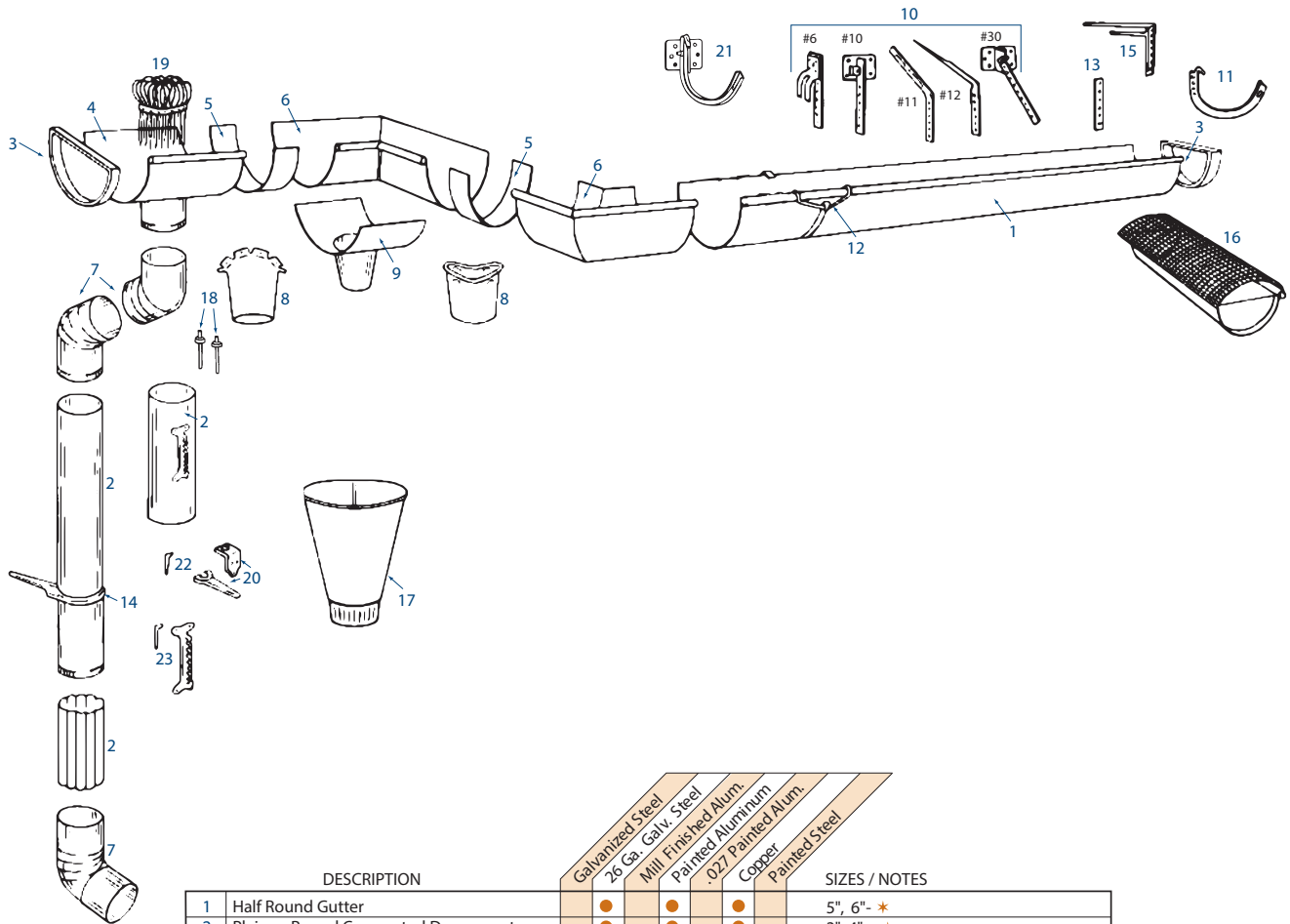
Part#	Description	Size	Length
K5GGD	Drop-in K-style Gutter Guard 3' - Aluminum	5"	3'
K6GGD	Drop-in K-style Gutter Guard 3' - Aluminum	6"	3'



Leaf Relief Gutter Guard for K-Gutter

Part#	Description	Size	Length
K5GGLR	Leaf Relief K-style Gutter Guard 10' - Aluminum	5"	10'
K6GGLR	Leaf Relief K-style Gutter Guard 10' - Aluminum	6"	10'

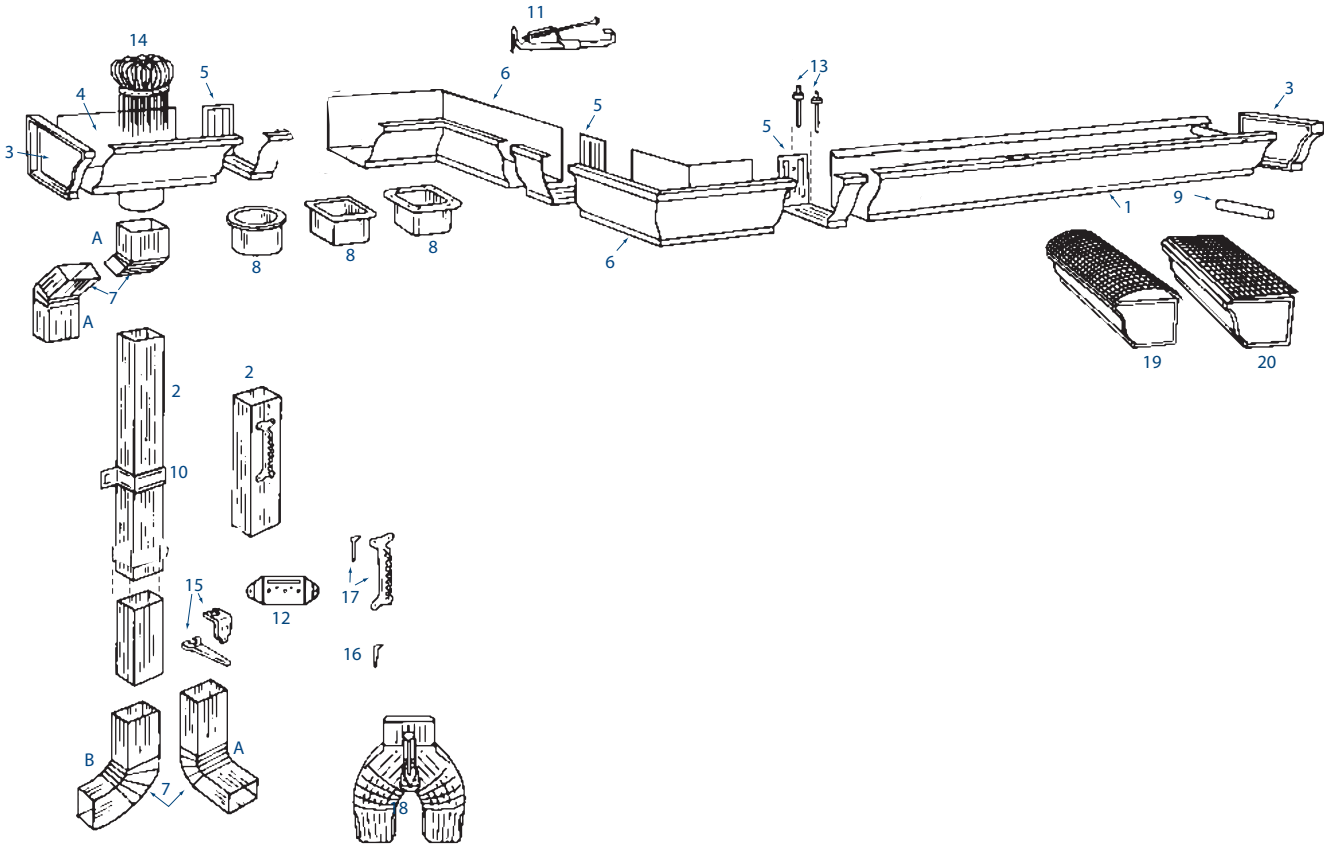
Half Round Gutter Exploded View



DESCRIPTION	Galvanized Steel	Mill Finished Steel	Painted Aluminum	Copper	Painted Steel	SIZES / NOTES
	26 Ga.	26 Ga.	.027			
1 Half Round Gutter	●	●	●	●	●	5", 6" - *
2 Plain or Round Corrugated Downspout	●	●	●	●	●	3", 4" - *
3 "C" End Caps	●	●	●	●	●	5", 6" - *
4 "D" End Section w/ Outlet	●	●	●	●	●	5"x3" - *
5 Slip Joint Connector	●	●	●	●	●	5", 6" - *
6 90 Degree Box Miter - Outside or Inside	●	●	●	●	●	5", 6" - *
7 Elbows - Plain Round or Round Corrugated	●	●	●	●	●	3", 4" - *
8 "B" Outlet Tube	●	●	●	●	●	3", 4" - *
9 Wide Flange Round "B" Outlet	●	●	●	●	●	3", 4"
10 Stamped Shanks	●	●	●	●	●	See Shank Notes
11 Stamped Circle	●	●	●	●	●	5", 6" - *
12 Wire Spring Clips	●	●	●	●	●	
13 Stamped Extension Shank	●	●	●	●	●	
14 Stamped Plain Round Sickle Hook	●	●	●	●	●	3", 4" Plain Round
15 #8 Malleable Shank	●	●	●	●	●	
16 Hinged Gutter Guard	●	●	●	●	●	5", 6"
17 Funnel	●	●	●	●	●	3", 4" Round Outlets
18 Pop Rivets	●	●	●	●	●	
19 Round Wire Strainer	●	●	●	●	●	3", 4"
20 Stamped Drives #0, #4, #6	●	●	●	●	●	#0 Masonry / #4, #6 Wood
21 #10 Combination Circle and Plate	●	●	●	●	●	5", 6"
22 Key Only	●	●	●	●	●	
23 Rack & Key Set	●	●	●	●	●	

Shank Notes: #1 - for fascia, #6 - for ogee or crown moulding, fits contour, #10 - for fascia, #11 - for nailing to rafter, #12 - for nailing to sheeting, #30 - adjustable pitch for angled end rafters and fascia * Note: Not all sizes are necessarily stocked in the colors and materials shown.

K-Gutter Exploded View



DESCRIPTION	MATERIALS				SIZES / NOTES
	Galvanized Steel	Mill Finished Alum.	Painted Aluminum	Copper	
1 K-Style Gutter					5", 6"
2 Square Corrugated Downspout					2"x3", 3"x4", 4"x5" - *
3 End Caps - Left or Right					5", 6" - *
4 End Section w/ Outlet					5"x3"
5 Slip Joint Connector					5" - *
6 90 Degree Box Miter - Outside or Inside					5", 6" - *
7 Elbows - A & B Style - Sq. Corr. & Plain Sq.					2"x3", 3"x4", 4"x5" - *
8 Outlet Tube - Oval, Square					2"x3", 3"x4" - *
9 Ferrule					5", 6" - *
10 Universal Band (may vary in appearance)					
11 Hidden Hanger w/ Screw					5", 6"
12 Conductor Bracket Downspout Hanger					2"x3", 3"x4"
13 Pop Rivets					A-42, A-44
14 Round Wire Strainer					3", 4"
15 Stamped Drives #0, #4, #6					#0 Masonry / #4, #6 Wood
16 Key Only					
17 Rack & Key Set					
18 Square Corrugated Cutoff w/ Diverter					2"x3", 3"x4"
19 Hinged Gutter Guard					5", 6"
20 Drop-In Gutter Guard					5", 6"

* Note: Not all sizes are necessarily stocked in the colors and materials shown.

Decking & Railing



Decking and Railing Index

Fiberon® Good Life Composite Deck Board	DCK3	Vinyl Post Sleeves	DCK6
Fiberon® Horizon Composite Deck Board (in-stock at Newville) .	DCK3	Galvanized Post Support.....	DCK6
Fiberon® Horizon Composite Railing Kits	DCK4	Vinyl Rail Mounting Brackets - 3000 Series	DCK7
Fiberon® Rail Mounting Brackets	DCK4	Vinyl Stair Rail Mounting Brackets - 3000 Series	DCK7
Fiberon® Composite Post Sleeves.....	DCK4	Vinyl Universal Stair Rail Mounting Bracket - 3000 Series	DCK7
Replacement Fiberon® Square Balusters	DCK5	Vinyl Post Cap.....	DCK7
Replacement Fiberon® Round Metal Balusters	DCK5	Vinyl Post Base Mouldings.....	DCK7
Fiberon® Horizon Square Baluster Daggers	DCK5	Treated Wood Balusters	DCK8
Fiberon® Harbour Post Cap.....	DCK5	4" x 4" Treated Post	DCK8
Fiberon® Horizon Round Baluster Daggers	DCK5	Tiger Claw Hidden Deck Fastener.....	DCK8
Fiberon® Post Base Moulding	DCK5	Tiger Claw Pneumatic Gun.....	DCK8
Vinyl Railing - 3000 Series.....	DCK6	Tiger Claw Pneumatic Screws.....	DCK8
Vinyl Classic Structural Porch Post.....	DCK6		

NOTICE: Most composite or vinyl railing and supplies are stocked at our Newville location. Please allow 1 to 3 days for transfer to our Ephrata location.



SHOWN IN COTTAGE

Fiberon® Good Life Composite Deck Board

- Available in 3 colors: Cabin, Cottage, and Villa
- 25-year residential limited warranty
- Capped on 3 sides with a tough protective finish
- Never needs staining or painting
- Offers the low maintenance of a composite at a price that's closer to wood

Part#	Description	Size	Length
DGLBG12cc	Fiberon Good Life Deck Board Grooved Edge	0.93" x 5.25"	12'
DGLBG16cc	Fiberon Good Life Deck Board Grooved Edge	0.93" x 5.25"	16'
DGLBG20cc	Fiberon Good Life Deck Board Grooved Edge	0.93" x 5.25"	20'
DGLBS20cc	Fiberon Good Life Deck Board Square Edge	0.93" x 5.25"	20'
DGLF12cc	Fiberon Good Life Fascia Board	0.75" x 11.25"	12'



SQUARE EDGE



GROOVED EDGE



CABIN (CAB)

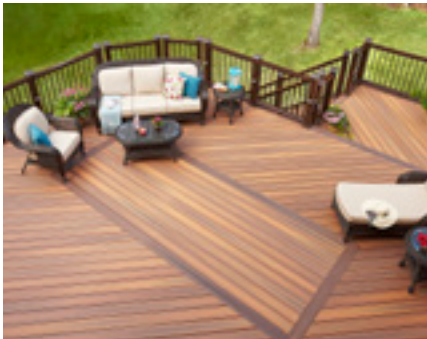


COTTAGE (COT)



VILLA (VIL)

ACTUAL COLORS MAY VARY. REQUEST FREE COLOR SAMPLES.



SHOWN IN IPE WITH ROSEWOOD ACCENTS

Fiberon® Horizon Composite Deck Board (in-stock at Newville)

- Stocked in 2 premium, 2-toned colors: Ipe and Rosewood
- 25-year residential limited warranty
- Capped on all 4 sides with a tough protective finish for more durability
- Never needs staining or painting
- The perfect combination of natural beauty and advanced composite technology
- Reversible with 2 different patterns top and bottom for more options and less waste

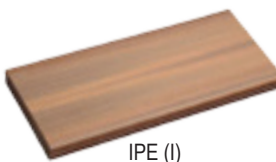
Part#	Description	Size	Length
DHORBG12cc	Fiberon Horizon Deck Board Grooved Edge	0.94" x 5.4"	12'
DHORBG16cc	Fiberon Horizon Deck Board Grooved Edge	0.94" x 5.4"	16'
DHORBG20cc	Fiberon Horizon Deck Board Grooved Edge	0.94" x 5.4"	20'
DHORBS20cc	Fiberon Horizon Deck Board Square Edge	0.94" x 5.4"	20'
DHORF12cc	Fiberon Horizon Fascia Board	0.75" x 11.25"	12'



SQUARE EDGE



GROOVED EDGE



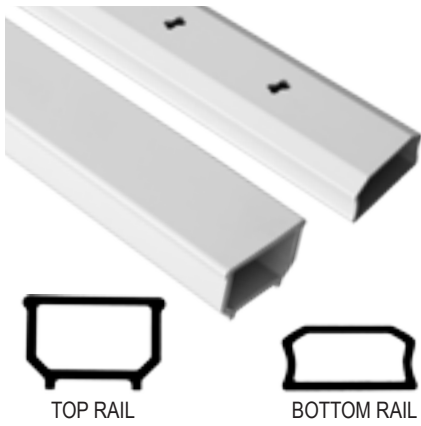
IPE (I)



ROSEWOOD (R)

ACTUAL COLORS MAY VARY. REQUEST FREE COLOR SAMPLES.

Comp. Railing



TOP RAIL

BOTTOM RAIL



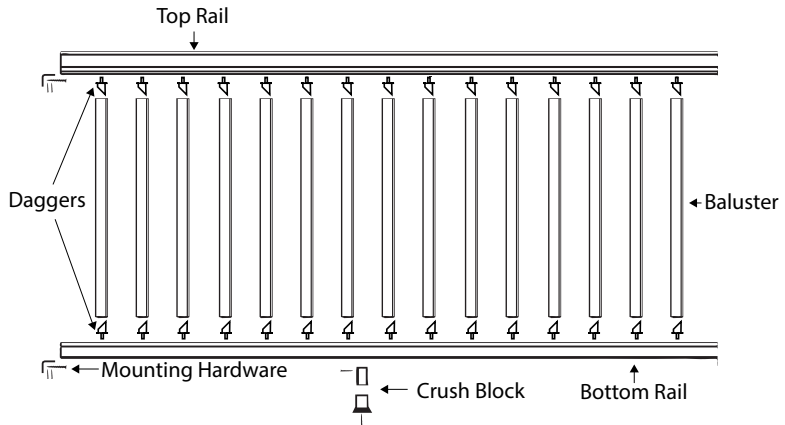
SQUARE BALUSTERS



ROUND METAL BALUSTERS

Fiberon® Horizon Composite Railing Kits

- It's the perfect complement to any Fiberon decking
- 20-year residential limited warranty
- Low-maintenance composite construction and permanent surface finish



6 ft Railing Kit Includes:

- (1) Top Rail
- (1) Bottom Rail
- (15) Composite Balusters
- (30) Baluster Daggers
- (1) Adjustable Crush Block
- (1) Hardware 4 Pack
- (1) Installation Booklet

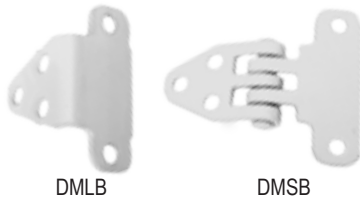
8 ft Railing Kit Includes:

- (1) Top Rail
- (1) Bottom Rail
- (21) Composite Balusters
- (42) Baluster Daggers
- (2) Adjustable Crush Blocks
- (1) Hardware 4 Pack
- (1) Installation Booklet

Part#	Description	Size
DHRMLS36	Horizon Railing Kit - Top/Bottom Rails w/ White Square Balusters	6' x 36"
DHRMLS36MB	Horizon Railing Kit - Top/Bottom Rails w/ Black Round Metal Balusters	6' x 36"
DHRMLS38	Horizon Railing Kit - Top/Bottom Rails w/ White Square Balusters	8' x 36"
DHRMLS38MB	Horizon Railing Kit - Top/Bottom Rails w/ Black Round Metal Balusters	8' x 36"
DHRMSS36	Horizon Stair Railing Kit - Top/Bottom Rails w/ White Square Balusters	6' x 42"
DHRMSS36MB	Horizon Stair Railing Kit - Top/Bottom Rails w/ Black Metal Balusters	6' x 42"

Fiberon® Rail Mounting Brackets

Part#	Description
DMLB	White Rail Mounting Bracket - 4 Pack
DMSB	White Hinged Stair Bracket - 4 Pack



DMLB

DMSB

Fiberon® Composite Post Sleeves

Part#	Description	Size	Length
DPPSK444W	Post Sleeve Kit for 4" x 4" Post with Bead - White (sleeve only)	4" x 4"	48"
DPPSK44108W	Post Sleeve Kit for 4" x 4" Post with Bead - White (sleeve only)	4" x 4"	108"



Brackets

Post Sleeves



Replacement Fiberon® Square Balusters

Part#	Description	Size
DHRMBW-21L	White Square Balusters - 21 in a Carton	29.5"
DHRMBW-21S	White Square Balusters for Stairs - 21 in a Carton	35.5"



Replacement Fiberon® Round Metal Balusters

Part#	Description	Size
DHRBB	Black Round Metal Balusters - 5 in a Carton	29.5"
DHRBBS	Black Round Metal Balusters for Stairs - 5 in a Carton	35.5"

Balusters



Fiberon® Harbour Post Cap

Part#	Description
DPHC	Fiberon Post Cap - Harbour for 4" post - White



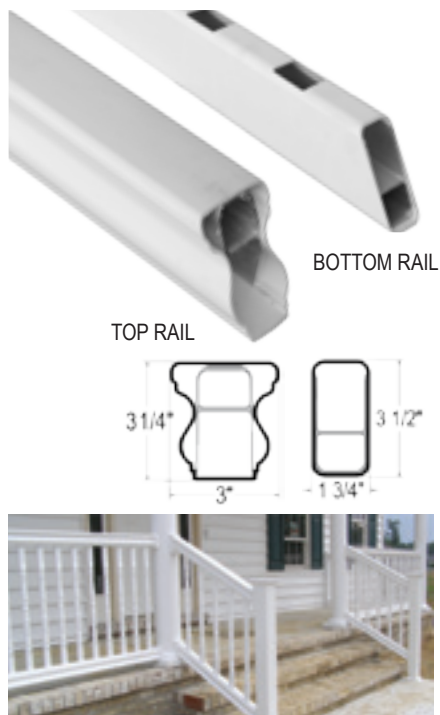
Fiberon® Post Base Moulding

Part#	Description
DPPM	Fiberon Post Bottom Moulding for 4" Post - White

Post Cap

Post Moulding

Vinyl Railing



Vinyl Railing - 3000 Series

- 3" Wide Flat-top Rail
- Low Maintenance Premium Vinyl
- Square Balusters
- Aluminum Reinforced Rails
- Easy to Install
- Limited Lifetime Warranty
- Performance Engineered & Tested to ICC Standards
- Boxed Kit Includes: Top & Bottom Rails, Balusters, Mounting Brackets, and Hardware

Part#	Description	Size	Length
DRV6LW	Vinyl Model Boxed Section Level - White	36"	6'
DRV8L	Vinyl Model Boxed Section Level - White	36"	8'
DRV10LW	Vinyl Model Boxed Section Level - White	36"	10'
DRV6SW	Vinyl Model Boxed Section Stair - White	36"	6'
DRV8SW	Vinyl Model Boxed Section Stair - White	36"	8'

Porch Post



Vinyl Classic Structural Porch Post

Part#	Description	Size	Length
DRVSC	Vinyl Classic Structural Porch Post	4.5" x 4.5"	108"

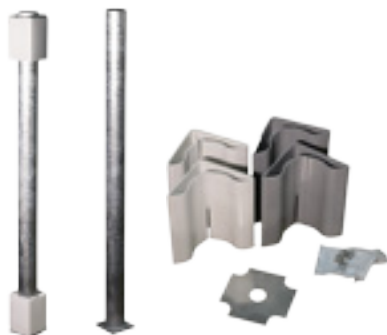
Post Sleeves



Vinyl Post Sleeves

Part#	Description	Size	Height
VPS444W	Vinyl White Post Sleeve - 0.115 thick	4" x 4"	4'
VPS4410W	Vinyl White Post Sleeve - 0.115 thick	4" x 4"	10'
VPS9W	Vinyl White Post Sleeve - 0.100 thick	6" x 6"	9'
VPS11W	Vinyl White Post Sleeve - 0.100 thick	6" x 6"	11'

Post Support



Galvanized Post Support

Part#	Description	Size
VPM3	Galvanized Post Mount w/ Mounting Supports	4" x 36"
VPM36	Galvanized Post Mount w/ Mounting Supports	4" x 42"



DRVMB

DRVMBB

Vinyl Rail Mounting Brackets - 3000 Series

Part#	Description
DRVMB	White Top Rail Mounting Brackets
DRVMBB	White Bottom Rail Mounting Brackets



Vinyl Stair Rail Mounting Brackets - 3000 Series

Part#	Description
DRVMS	White 32° - 36° Stair Railing - 4 pack



Vinyl Universal Stair Rail Mounting Bracket - 3000 Series

Part#	Description
DRVMBU	White Universal Stair Bracket - 0° to 45°

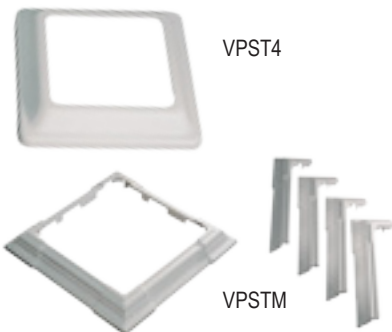


VPSCN

VPSC

Vinyl Post Cap

Part#	Description
VPSCN	Vinyl New York Post Cap for 4" Post- White
VPSC	Vinyl Post Cap for 4" Post- White



VPST4

VPSTM

Vinyl Post Base Mouldings

Adjustable base mouldings comes in 4 pieces 3" x 6.5" that connect together to fit either a 4" x 4" post or a 6" x 6" post

Part#	Description
VPST4	Vinyl Post Trim for 4" Post - White
VPSTM	Vinyl Post Trim Modular Adjustable for 4" or 6" Posts - White

Treated Baluster



Treated Wood Balusters

Part#	Description	Size
LT2242	Treated Wood Balusters - Tapered 1 End	2 x 2 x 42"

Treated Post



4" x 4" Treated Post

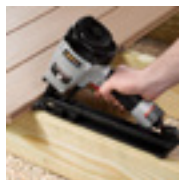
Part#	Description	Size	Length
LT448	Treated Post - .15 Ground Contact	4 x 4	8'
LT4410	Treated Post - .15 Ground Contact	4 x 4	10'
LT4412	Treated Post - .15 Ground Contact	4 x 4	12'
LT4416	Treated Post - .15 Ground Contact	4 x 4	16'

Hidden Fastener



Tiger Claw Hidden Deck Fastener

Part#	Description	Box Qt.
DTC90	TC-G Deck Fastener for Grooved Boards - w/ Screws	90
DTC900	TC-G Deck Fastener for Grooved Boards - No Screws	900



Tiger Claw Pneumatic Gun



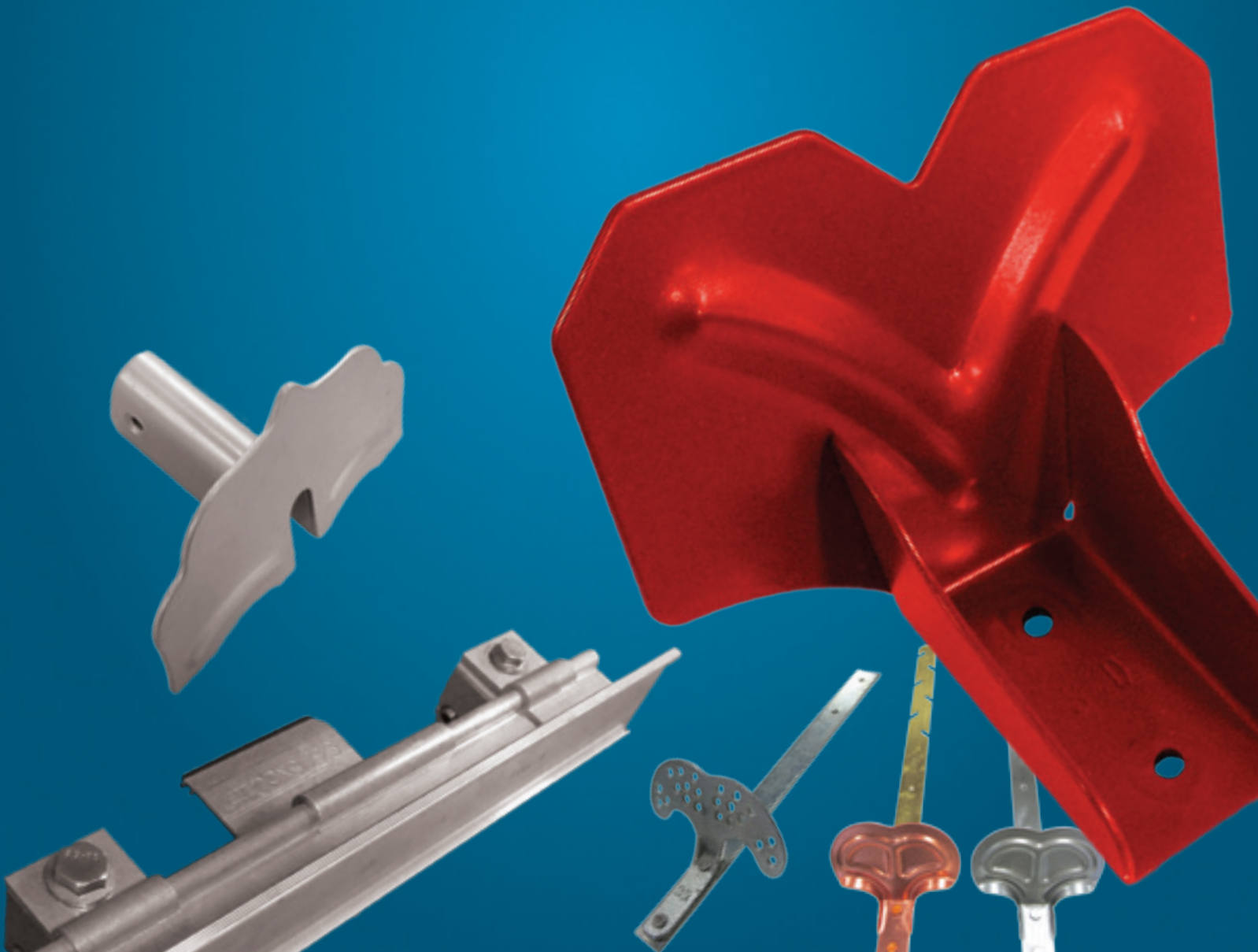
Part#	Description
DTCGUN	Tiger Claw Pneumatic Gun



Tiger Claw Pneumatic Screws

Part#	Description	Box Qt.
DTCS	Tiger Claw Screws	930

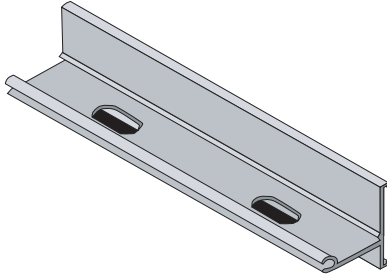
Snow Retention Systems





S-5!® ColorGard®

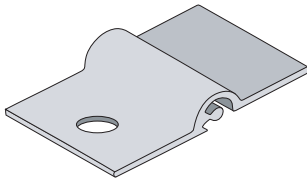
- Mechanically attached with S-5!® clamps for a snow retention system that is warranted for the life of your roof (see www.s-5.com for warranty info.)
- The S-5!® clamp base can be fastened with the patented round-point setscrews for non-penetrating attachment to standing seam roofs, or can be screwed into an exposed fastener roof
- Not compatible with the S-5! Mini Clamps
- Easily retrofitted to existing roofs or incorporated into new construction
- Easy to install with common tools of the trade
- Online calculator at www.S-5.com/calculator



S-5!® ColorGard® Rail

- Includes 1 splice collar
- Online calculator at www.S-5.com/calculator

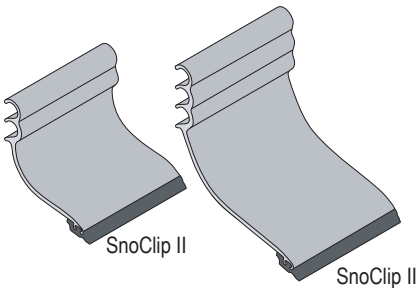
Part#	Description	Length
SNGS5RAIL	S-5 ColorGard Aluminum Rail - Unpunched	8'
SNGS5RAIL-PUNCHED	S-5 ColorGard Aluminum Rail - Punched Every 4" On Center	8'



S-5!® VersaClip™

- Online calculator at www.S-5.com/calculator

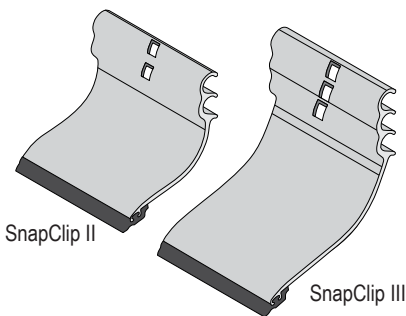
Part#	Description
SNGS5CLIP	S-5 ColorGard VersaClip
SNGS5CLIP-WIDE	S-5 ColorGard VersaClip 12" Wide



S-5!® SnoClip

- The SnoClip II can be used on panels with ribs up to 1-3/4" high
- The SnoClip III can be used on panels with ribs up to 3" high
- Must be attached by sliding from end of rails before installation. Cannot be retrofitted.
- Online calculator at www.S-5.com/calculator

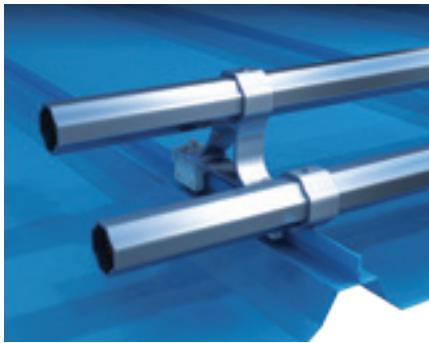
Part#	Description
SNGS5SCII	S-5 ColorGard SnoClip II
SNGS5SHOE	S-5 ColorGard SnoClip III



S-5!® SnapClip

- The SnapClip II can be used on panels with ribs up to 1-3/4" high
- The SnapClip III can be used on panels with ribs up to 3" high
- Can be retrofitted to existing ColorGard assemblies.
- Online calculator at www.S-5.com/calculator

Part#	Description
SNGS5SCII-RETRO	S-5 ColorGard SnapClip II
SNGS5SHOE-RETRO	S-5 ColorGard SnapClip III

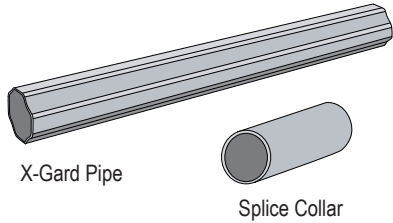


S-5!® X-Gard®

- The strongest snow retention system on the market
- A one or two pipe system that spans up to 48"
- The S-5!® clamp base mechanically attaches to standing seam with patented round-point setscrews that do not void the panel finish warranty, or can be screwed into an exposed fastener roof
- Not compatible with the S-5! Mini Clamps
- Can be installed any time of the year
- All related hardware is non-ferrous stainless steel for lasting performance

S-5!® X-Gard® Pipe

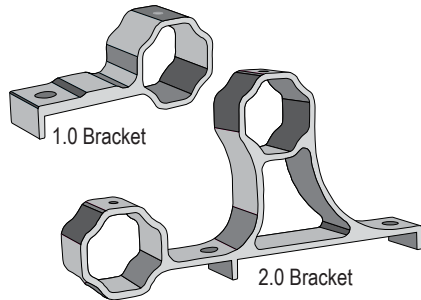
- Each pipe comes with 1 splice collar



Part#	Description	Size	Length
SNGS5XGNEX	S-5 X-Gard NeX Pipe	2"	8'
SNGS5XGSTDPIPE	S-5 Smooth X-Gard Pipe	1.5"	20'
SNGS5XGSPLICESTDPIPE	S-5 1-1/2 Pipe Splice Collar	1.5"	
SNGS5XGENDCAP	S-5 X-Gard End Caps		

S-5!® X-Gard® Brackets

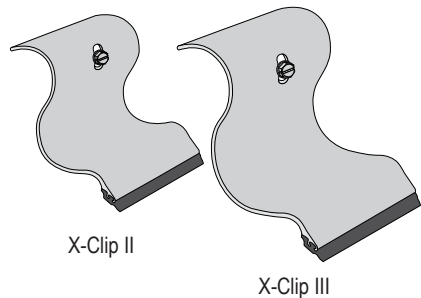
- Choose the X-Gard 2.0 for a double pipe system and 1.0 for a single pipe system



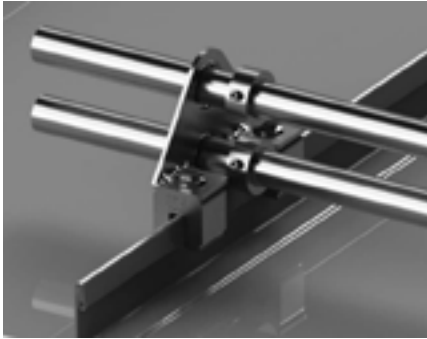
Part#	Description	Size
SNGS5XG1	S-5 X-Gard 1.0 Bracket for Single Pipe System	5.3" x 2.4" x 1.5"
SNGS5XG2	S-5 X-Gard 2.0 Bracket for Double Pipe System	11" x 5.75" x 1.5"

S-5!® X-Gard X-Clips

- Includes Screws



Part#	Description
SNGS5XGSGII	S-5 X-Gard X-Clip II
SNGS5XGSGIII	S-5 X-Gard X-Clip III



S-5!® DualGard™

- Mechanically attached with S-5!® clamps for a snow retention system that is warranted for the life of your roof (see www.s-5.com for warranty info.)
- The S-5!® clamp base can be fastened with the patented round-point setscrews for non-penetrating attachment to standing seam roofs, or can be screwed into an exposed fastener roof
- Designed for use with the S-5! Mini Clamps
- Easily retrofitted to existing roofs or incorporated into new construction
- Easy to install with common tools of the trade



S-5!® DualPipe

- Includes one 4" splice collar

Part#	Description	Size	Length
SNGS5D-PIPE	S-5 DualPipe	1"	8'



S-5!® DualGard Bracket

Part#	Description
SNGS5D-GARD	S-5 DualGard



S-5!® DualPipe End Cap and Collar

Part#	Description
SNGS5D-CAP	S-5 DualPipe End Cap and Collar



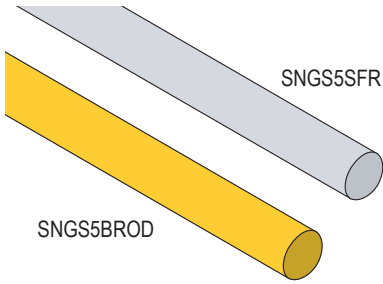
S-5!® Dual Clip

Part#	Description
SNGS5D-CLIPII	S-5 DualClip II
SNGS5D-CLIPIII	S-5 DualClip III



S-5!® SnoRail™ and SnoFence™

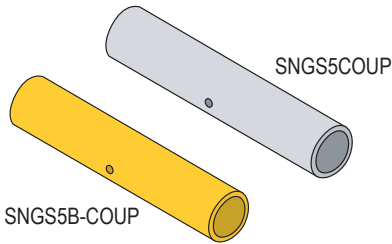
- The clean lines, cylindrical shapes and high-tech look of the SnoRail and SnoFence systems present an attractive solution to snow retention problems.
- Up to six times the strength of adhesively-mounted devices
- Mechanically attached with patented S-5-ASF and S-5-BSF brass or aluminum clamps
- Can be installed any time of the year
- All related hardware is non-ferrous stainless steel for lasting performance
- Available in Brass for copper batten or standing seam roofs and in aluminum/stainless steel for other standing seam roofing materials



S-5!® SnoRod

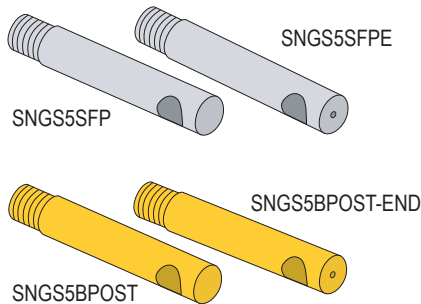
Use the stainless steel SnoRod inserted through the S-5-ASF clamps, placing it just above the panel seams for the S-5! SnoRail System. Add a second SnoRod through SnoPosts for a S-5! SnoFence system.

Part#	Description	Size	Length
SNGS5SFR	S-5 SnoFence Stainless Steel Rod	3/8"	12'
SNGS5BROD	S-5 SnoFence Brass Rod	3/8"	12'



S-5!® SnoRod Coupling

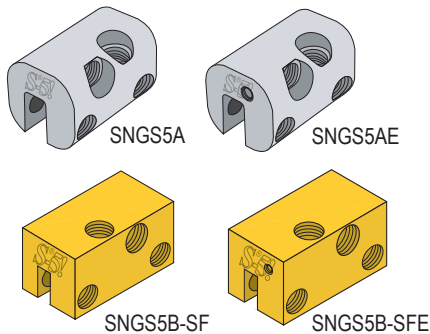
Part#	Description	Size	Length
SNGS5COUP	S-5 Aluminum Coupling for SnoRail/SnoFence	3/8"	2.8"
SNGS5B-COUP	S-5 Brass Coupling for SnoRail/SnoFence	3/8"	2.8"



S-5!® SnoPost

- Used when adding a second SnoRod for an S-5! SnoFence System
- End Post includes hole for setscrew to prevent the SnoRod from sliding

Part#	Description	Length
SNGS5SFP	S-5 SnoFence Stainless Steel Post	2.8"
SNGS5SFPE	S-5 SnoFence Stainless Steel End Post	2.8"
SNGS5BPOST	S-5 SnoFence Brass Post	2.8"
SNGS5BPOST-END	S-5 SnoFence Brass End Post	2.8"



S-5-ASF Clamp/S-5-AE Clamp

- End Clamp includes hole for setscrew to prevent the lateral movement

Part#	Description	Size
SNGS5A	S-5 Aluminum Clamp for SnoRail/SnoFence	1.22" x 1.22" x 1.85"
SNGS5AE	S-5 Aluminum End Clamp for SnoRail/SnoFence	1.22" x 1.22" x 1.85"
SNGS5B-SF	S-5 Brass Clamp for SnoRail/SnoFence	1.22" x 1.22" x 1.85"
SNGS5B-SFE	S-5 Brass End Clamp for SnoRail/SnoFence	1.22" x 1.22" x 1.85"

AlumiCast



AlumiCast Rib-Mounted Snow Guard

- Cast aluminum snow guard with arched base
- The perfect snow guard for continuous corrugated panels and other rib mounted snow retention solutions

Part#	Description	Size
SNGA	AlumiCast Rib Mounted Snow Guard	5" x 2.5" x 3"

Snow Defender



Snow Defender™ 4500 Snow Guard

- Designed for exposed fastener panels like the ABM Panel
- Must be screwed into 2x4 purlins in the flat position
- Made with 16 Gauge type 304 stainless steel that will never rust
- EPDM rubber sealer saves time because no caulk is needed
- Powder coated for a long-lasting colored finish
- Online calculator at www.snowdefendercalculator.com

Part#	Description	Size
SNGSSRcc	Snow Defender 4500 - Stainless Steel with Rubber Seal	4" x 3" x 3"



Snow Defender™ 6500 Snow Guard

- Designed for standing seam panels like the ABSeam Panel
- Fits ribs up to 3/8" wide and 1" to 1-3/4" high
- Made with 16 Gauge type 304 stainless steel that will never rust
- It pinches, but does not penetrate the metal panel
- Powder coated for a long-lasting colored finish
- Online calculator at www.snowdefendercalculator.com

Part#	Description	Size
SNGSDcc	Snow Defender 6500 - Stainless Steel with Setscrews	5.5" x 3" x 3.5"



Snow Defender™ PC240

- Polycarbonate Lexan 103-112
- UV stable and very strong
- Mount with screws or adhesive
- Attach with Surebond High Strength Adhesive
- Online calculator at www.snowdefendercalculator.com

Part#	Description	Size
SNGPC240	Snow Defender PC240 - Clear Polycarbonate Snow Guard	3" x 2.5" x 4.125"



Snow Defender™ Buster

- Polycarbonate Lexan 103-112 (3/16" thick)
- UV stable and very strong
- Mount with screws or adhesive
- Attach with Surebond High Strength Adhesive
- Online calculator at www.snowdefendercalculator.com

Part#	Description	Size
SNGBUSTER	Snow Defender Buster - Clear Polycarbonate Snow Guard	5" x 3" x 3"



Berger #1 Snow Guard

- Designed for standing seam panels

Part#	Description
SNGGS	Berger #1 Snow Guard - Malleable Iron



Berger #2 Snow Guard

- Made from Malleable Iron
- Comes with long shank for slate roofs

Part#	Description
SNGG	Berger #2 Snow Guard Assembly w/ Long Shank for Slate Roofs



Berger AP-400 Snow Guard

- Designed for standing seam panels with ribs up to 3/8" wide and 2" high
- Non-penetrating setscrews that do not restrict thermal movement

Part#	Description
SNGAP400	Berger AP-400 Snow Guard - Mill Finish Cast Aluminum



Berger RT-300 Snow Guard

- Designed for standing seam panels with ribs up to 1" high
- Non-penetrating setscrews that do not restrict thermal movement

Part#	Description
SNGRT300M	Berger RT300 Snow Guard - Mill Finish Cast Aluminum



Berger #100 Snow Guard

- Comes with long shank for slate and shingled roofs or without the shank for metal roofs
- Can be installed without removing shingles

Part#	Description
SNGSLC	Berger #100 Snow Guard Assembled w/ Long Shank - Copper
SNGSL	Berger #100 Snow Guard Assembled w/ Long Shank - Stainless Steel
SNGC	Berger #100 Snow Guard Shoe for Metal Roof - Copper
SNGSTS	Berger #100 Snow Guard Shoe for Metal Roof - Stainless Steel



Berger RT Clear Surface Mount Snow Guard

- Attach with Surebond High Strength Adhesive

Part#	Description
SNGPBP	Berger RT Clear Surface Mount Snow Guard



Berger RT Clear Surface Mount Structural Rib Snow Guard

- Attach with Surebond High Strength Adhesive

Part#	Description
SNGPRT	Berger RT Clear Surface Mount Structural Rib Snow Guard



Berger RT Mini Clear Snow Guard

- Attach with Surebond High Strength Adhesive
- Can insert a metal chip or custom emblem thanks to the blade slot

Part#	Description
SNGRTMINI	Berger RT Mini Clear Snow Guard w/ UV Stabilizers



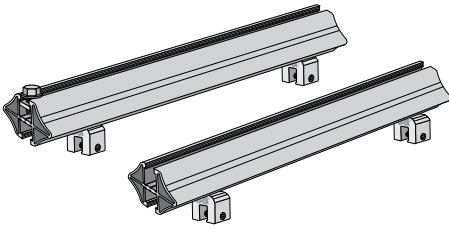
Superbond High Strength Adhesive for Plastic Snow Guards

- 2000 psi shear tensile strength after 25 days of 50° F or warmer temperature cure time

Part#	Description
SNGGE	Berger RT Mini Clear Snow Guard w/ UV Stabilizers

S-5!® Clamps



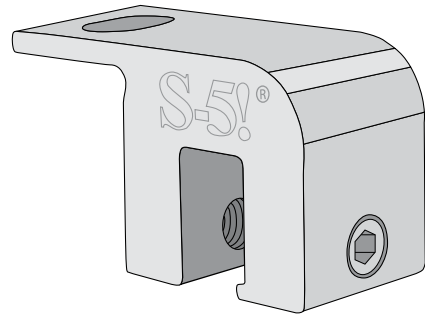


COMPONENTS SOLD SEPARATELY

S-5!® Utility System

The S-5!® Utility System is the most versatile utility mounting solution for standing seam metal roofs, and is exclusively from S-5!. The Utility System enables easy attachment of almost any conceivable utility application, including: signs, banners, light fixtures, gas piping, antennas, roof walkways, HVAC equipment, lightning protection systems, condensate lines, stack/flue bracing, fascias, equipment screens, electrical conduit, antennas, cabling, and more.

Part#	Description	Length
SNGS5DGS	S-5 Dual Grip Strut	8'
SNGS5SQNUT	S-5 5/16-18 Square Stainless Steel Nut	



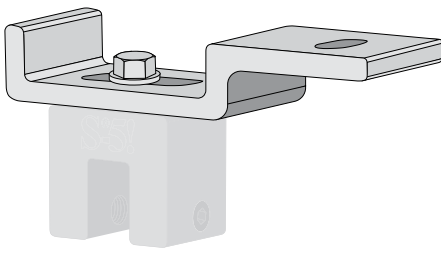
S-5-USF

The S-5-USF Mini clamp is a mini clamp with a flange, increasing the ease with which some ancillaries, such as the Utility System, can be attached. The S-5-USF fits 85% of U.S. standing seam profiles including most snap-together and machine-folded seams.

Fits these roof seams:



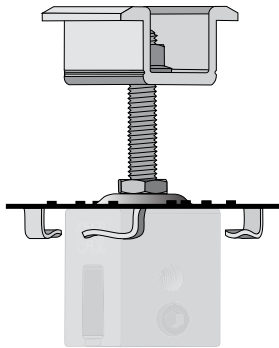
Part#	Description
SNGS5USF	S-5-USF Flange Mini Clamp



S-5-FA

If the metal roof profile isn't compatible with the three flanged clamps mentioned before (i.e. S-5-USF), the Utility System can utilize the S-5-FA with the appropriate S-5! clamp to quickly provide a flanged component to any of the other S-5! mini clamps.

Part#	Description
SNGS5FA	S-5 Flange Adapter

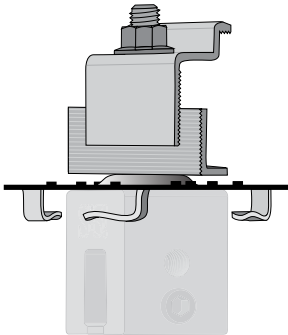


S-5-PV Kit

The S-5-PV Kit features a groundbreaking stainless steel mounting disk with twelve nodes designed to ensure the module-to-module conductivity of anodized aluminum module frames. This means it automatically provides a ground path in the module frame. There are no lugs or wire required, except to connect one string of modules to another and to ground the system. The new S-5-PV Kit is one of the first solar module mounting solutions in the industry to be listed to the new UL subject 2703, a standard that covers both bonding and mounting. Furthermore, the S-5-PV Kit has gained an ETL Listing to UL 1703.

Part#	Description
-------	-------------

SNGS5PVKIT-UL	S-5 Solar Panel Clip Kit PV Kit
---------------	---------------------------------

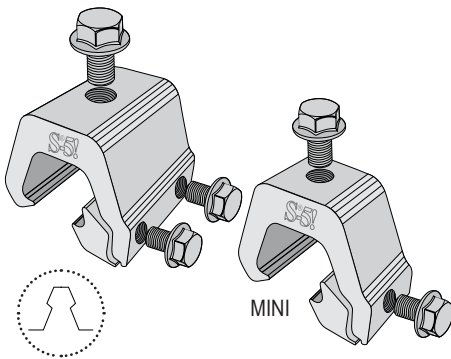


S-5!® EdgeGrab™

S-5!'s new EdgeGrab™ is specifically designed to be used in conjunction with our patented S-5-PV Kit for solar array end conditions. The EdgeGrab accommodates PV frame thicknesses of 30–48 mm (if the L-flange is positioned below the stud's hex nut) and 34–51 mm (if the L-flange is positioned above the stud's hex nut). EdgeGrab uses the same S-5-PV Kit base assembly as the universal PV grab and will work on most exposed-fastened and corrugated metal roofs.

Part#	Description
-------	-------------

SNGS5PVEDGE	S-5 Solar Panel Clip Kit Pv Edge Grab
-------------	---------------------------------------



S-5-K Grip

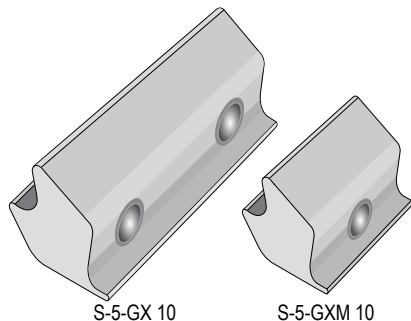
The S-5-K Grip™ clamp was specifically developed to fit Klip-Rib® and other bulb snap-together seams. The design utilizes multiple inserts (sold separately) in order to accommodate a variety of bulb snap-together profiles. The S-5-K Grip eliminates the large moment arm other attachment products use for these profiles.

Note: The Mini version of this component is not designed for most snow retention.

Part#	Description
-------	-------------

SNGS5KGRIP	S-5-K Grip (3) 8 MM bolts included
------------	------------------------------------

SNGS5KGRIP-MINI	S-5-K Grip Mini (2) 8 MM bolts included
-----------------	---



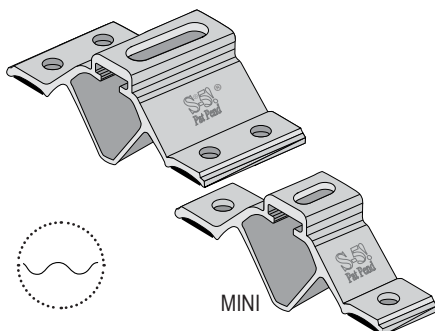
S-5-K Grip Inserts

Each S-5-K Grip insert has a unique shape that allows for a tight fit and provides increased holding strength over other attachment options. S-5-K Grip inserts are sold separately from S-5-K Grip camps.

Part#	Description
-------	-------------

SNGS5GX-10	GX 10 insert for K Grip clamp
------------	-------------------------------

SNGS5GXM-10	GXM-10 insert for K Grip mini Clamp
-------------	-------------------------------------



CorruBracket™ 100T

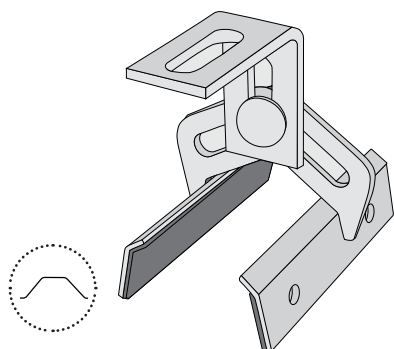
The S-5!® CorruBracket™ 100T is designed specifically for corrugated roofing profiles that are common in North America. CorruBracket 100T mounts directly into the crest of the corrugation, straddling the valley. The slotted top hole, which accommodates standard M8 nuts and bolts, simplifies alignment and maximizes flexibility in attaching ancillaries.

Note: The Mini version of this bracket is not designed for most snow retention.

Part#	Description
-------	-------------

SNGS5CB100T	CorruBracket™ 100T top mount
-------------	------------------------------

SNGS5CB100T-MINI	CorruBracket™ 100T- mini top mount
------------------	------------------------------------

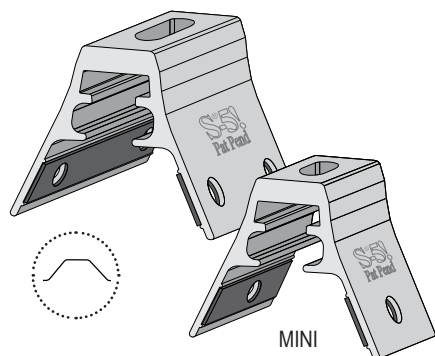


S-5!® ProteaBracket™

ProteaBracket™ is the most versatile exposed-fastened metal roof attachment solution on the market, fitting most trapezoidal sheet profiles with and without intermediate insulation. It features an adjustable attachment base and multiple solar module attachment options to accommodate varying widths and heights. There are no messy sealants to apply and no chance for leaks; the ProteaBracket comes with factory-applied adhesive rubber sealant to ensure quick installation and a weather-proof fit.

Part#	Description
-------	-------------

SNGS5PROTEA	S-5 Proteabacket - with Mounting Screws and Bolt/Washer Included
-------------	--



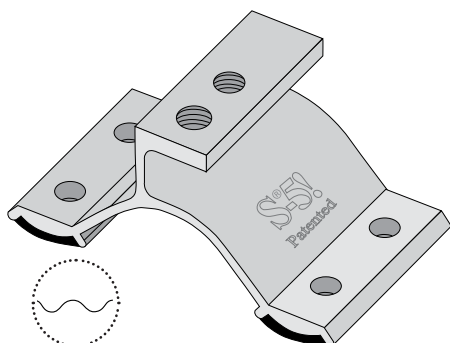
S-5!® RibBracket™

RibBracket™ can be used to mount almost anything onto the most common exposed-fastened, trapezoidal roof profiles marketed in North America today. RibBracket is the perfect match for our S-5-PV Kit, or any other ancillary application, and eliminates worry about cold bridging! RibBracket is extremely economical and facilitates quick and easy installation. The slotted top hole, which accommodates standard M8 nuts and bolts, simplifies alignment and maximizes flexibility in attaching ancillaries.

Part#	Description
-------	-------------

SNGS5RB	S-5 Rib Bracket (4 screws & 8mm nut included)
---------	---

SNGS5RB-MINI	S-5 Rib Bracket Mini (2 screws and a M8 flange nut include)
--------------	---

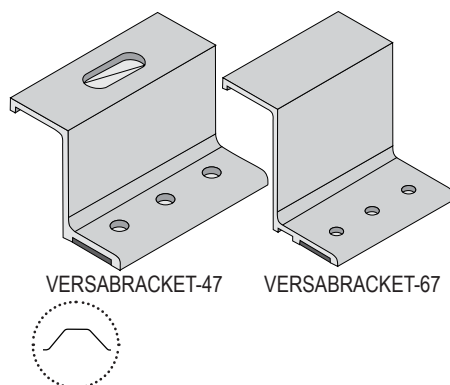


S-5!® CorruBracket™

The S-5!® CorruBracket™ can be used to mount almost anything to corrugated metal roofing. CorruBracket is compatible with 7/8" and 3/4" U.S. corrugated profiles. No messy sealants to apply! No chance for leaks! The CorruBracket comes with factory-applied butyl sealant already in the base, and the S-5!-patented reservoir conceals the sealant from UV exposure, preventing UV degradation.

Part#	Description
-------	-------------

SNGS5CB	S-5 CorruBracket
---------	------------------



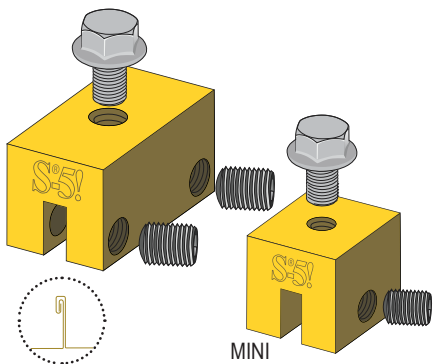
S-5!® VersaBracket-47™ and VersaBracket-67™

To accommodate various rib heights, VersaBracket™ comes in two heights. VersaBracket can be used to mount almost anything to an exposed-fastened roof system and is compatible with almost any trapezoidal, exposed-fastened profile. No messy sealants to apply! No chance for leaks! The VersaBracket comes with factory-applied butyl sealant already in the base, and the S-5!-patented reservoir conceals the sealant from UV exposure, preventing UV degradation.

Part#	Description
-------	-------------

SNGS5BRKT	Versabacket-47 (To Mount ColorGard To 3' Panels Max 1-3/8" High)
-----------	--

SNGS5BRKT67	Versabacket-67 (To Mount ColorGard To 3' Panels Max 2-5/8" High)
-------------	--

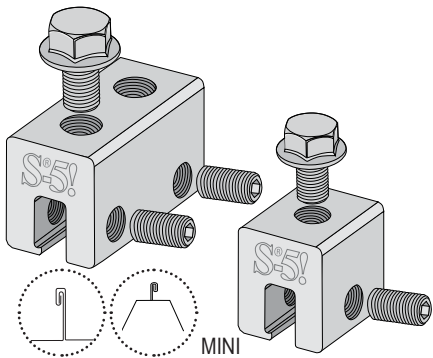


S-5-B

The S-5-B clamp allows architects to maintain the beautiful appearance of their copper roofing. The brass clamp fits either traditional standing or batten seams.

Note: The Mini version of this clamp is not designed for most snow retention.

Part#	Description
SNGS5B	S-5-B for Vertical Or Horizontal Seam Profiles Max .40" Thick
SNGS5B-MINI	S-5-B Mini for Vertical Or Horizontal Seam Profiles Max .40" Thick

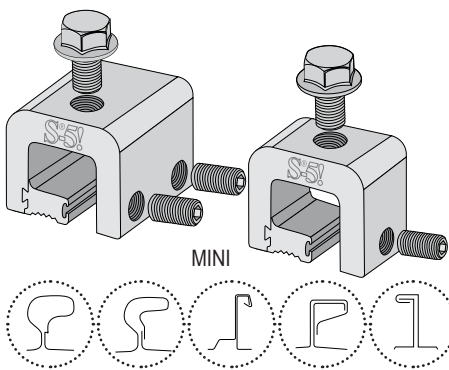


S-5-E

The S-5-E is designed specifically for double-folded standing seam roofs that are so popular in Europe (and in the U.S.). The S-5-E is a bit smaller and less expensive than the S-5-U, but every bit as strong. It also fits Butler's MR-24®.

Note: The Mini version of this clamp is not designed for most snow retention.

Part#	Description
SNGS5E	S-5-E Clamp Use For Mechanically Seamed Panels
SNGS5E-MINI	S-5-E-Mini Clamp Use For Mechanically Seamed Panels

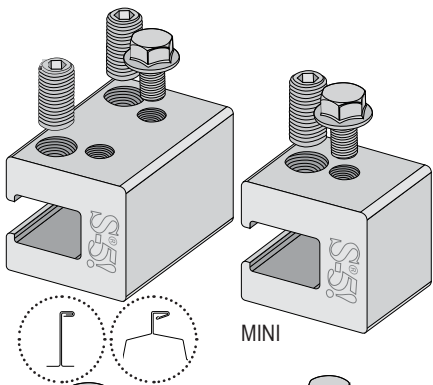


S-5-H

The S-5-H clamp was specifically developed to accommodate metal roof panels with a horizontal seam. The clamp's unique two-piece design allows for attachment anywhere along the length of the rib, making installation fast and easy!

Note: The Mini version of this clamp is not designed for most snow retention.

Part#	Description
SNGS5H	S-5-H Clamp
SNGS5H-MINI	S-5-H Clamp Mini

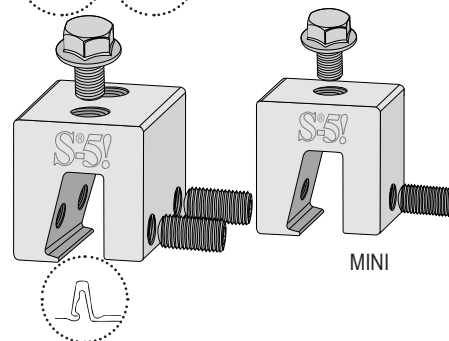


S-5-H90

The S-5-H90 is a one-piece clamp that was developed to securely and cost-effectively accommodate metal roof panels with a horizontal seam greater than 0.65".

Note: The Mini version of this clamp is not designed for most snow retention.

Part#	Description
SNGS5H90	S-5-H90 Universal Clamp
SNGS5H90-MINI	S-5-H90 Mini Universal Clamp

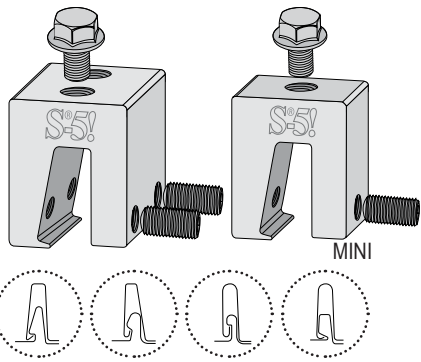


S-5-N

The S-5-N clamp was designed for application on popular 1" nail strip metal roof profiles. The clamp design minimizes the need to field crimp, engages the female part of the triangular seam, sits straighter on the seam, and eliminates the need to hold the clamp in place while setscrews are tensioned.

Note: The Mini version of this clamp is not designed for most snow retention.

Part#	Description
SNGS5N	S-5-N Clamp - Nail Strip Panel Clamp
SNGS5N-MINI	S-5-N Mini Utility Clamp - Nail Strip Panel Clamp

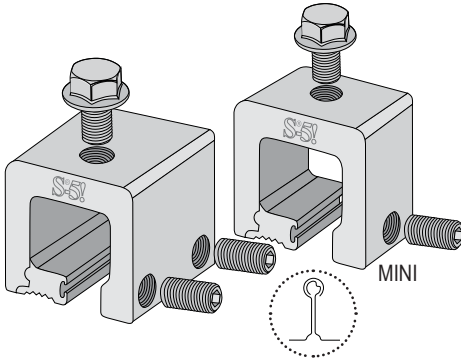


S-5-N 1.5

The S-5-N 1.5 clamp was designed for application on popular 1.5" nail strip metal roof profiles. An angled wall with a nose permits the S-5-N 1.5 to engage the triangle-type profiles during the installation process, and a wider throat accommodates most nail strip profiles. The combination of these two features allows the S-5-N 1.5 clamp to sit straighter on the seam.

Note: The Mini version of this clamp is not designed for most snow retention.

Part#	Description
SNGS5N1.5	S-5-N 1-1/2" Clamp - For Standing Seam
SNGS5N1.5-MINI	S-5-N 1-1/2 Mini Clamp - For Standing Seam

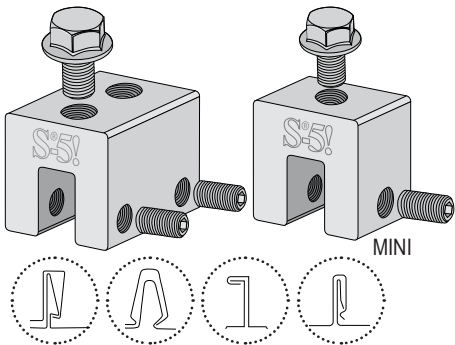


S-5-Q

The S-5-Q clamp was developed to accommodate metal roof panels having a large, round "bulb" seam configuration up to 29 mm. It will also fit smaller bulb-shaped profiles that were not seamed correctly, allowing the seam to be utilized without modification.

Note: The Mini version of this clamp is not designed for most snow retention.

Part#	Description
SNGS5Q	S-5-Q Clamp - 2 Piece Clamp For Standing Seam
SNGS5Q-MINI	S-5-Q Mini Clamp - 2 Piece Clamp For Standing Seam

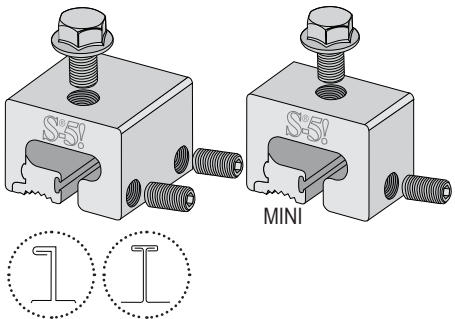


S-5-S

The S-5-S clamp is an extraordinarily versatile clamp. It was created for popular snap-together profiles — including residential profiles such as Taylor Metal's Easy Lock™ Standing Seam and the Firestone UC4. The S-5-S or S-5-S Mini can be used on horizontal seams under 0.54" to avoid field crimping the seam.

Note: The Mini version of this clamp is not designed for most snow retention.

Part#	Description
SNGS5S	S-5-S Universal Clamp - Without Bottom Lip
SNGS5S-MINI	S-5-S Mini Utility Clamp - Without Bottom Lip

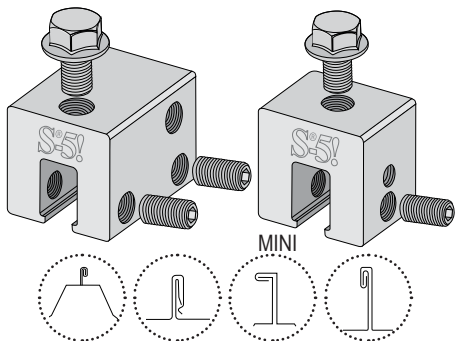


S-5-T

The S-5-T was specially developed to fit certain profiles having a T-shaped seam configuration. Its two-piece design allows it to be easily installed anywhere along the length of the panel seam, and also works on architectural "angle-seam" or "single-folded" paneling.

Note: The Mini version of this clamp is not designed for most snow retention.

Part#	Description
SNGS5T	S-5-T Clamp
SNGS5T-MINI	S-5-T Mini Utility Clamp

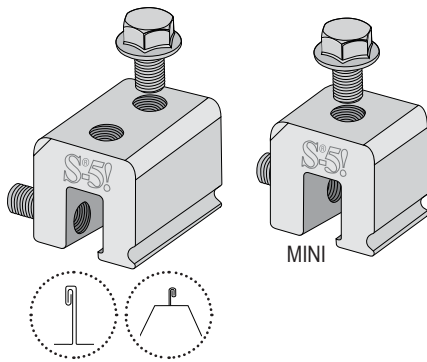


S-5-U

The S-5-U is by far our most popular and versatile clamp. It fits about 85% of the standing seam profiles manufactured in North America — including most structural and many popular architectural profiles. The S-5-U can be used on vertically-oriented seams and, by rotating the clamp 90°, it can also be used on most horizontal 2" seam profiles.

Note: The Mini version of this clamp is not designed for most snow retention.

Part#	Description
SNGS5U	S-5-U Universal Clamp
SNGS5U-MINI	S-5-U Mini Utility Clamp

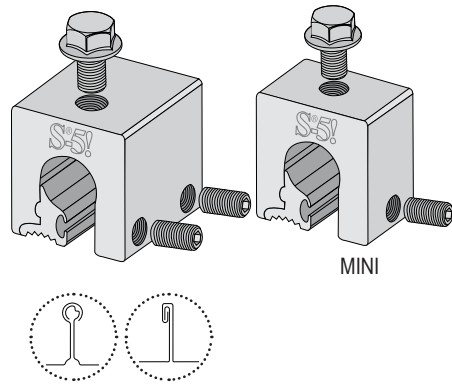


S-5-V

The S-5-V clamp is a versatile clamp that fits vertical-folded seam profiles including most structural and architectural profiles. Its simple design and generous dimensioning are what make the S-5-V clamp so versatile for use with the S-5!® snow retention products, such as ColorGard®, as well as with other heavy-duty applications.

Note: The Mini version of this clamp is not designed for most snow retention.

Part#	Description
SNGS5V	S-5-V Vertical Clamp, With one Bottom Lip
SNGS5V-MINI	S-5- V-Mini Vertical Clamp

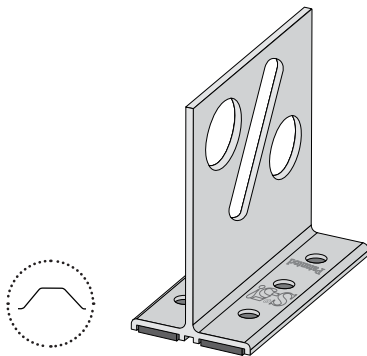


S-5-Z

The S-5-Z clamp is specially designed to fit Zip-Rib®, Kalzip®, and similar profiles that have a round “bulb” seam configuration. Its two-piece clamp design allows it to be easily installed anywhere along the length of the rib.

Note: The Mini version of this clamp is not designed for most snow retention.

Part#	Description
SNGS5Z	S-5-Z Clamp - 2 Piece Clamp For Standing Seam
SNGS5Z-MINI	S-5-Z Clamp Mini Utility 2 Piece Clamp For Standing Seam



S-5!® VersaGard™

The S-5!® VersaGard™ is a strong, versatile, and affordable exposed-fastened solution for mounting snow retention and solar panels to almost any trapezoidal, exposed-fastened profile. VersaGard can be installed parallel (for snow retention or PV installations) or perpendicular to the rib (for PV installations). While the circular holes in the vertical part of the bracket support 1” pipes, the diagonal slot provides flexible support for PV installations via the use of 3/8”, M8, or M10 bolts.

Part#	Description
SNGS5VG	S-5 VersaGard Bracket

