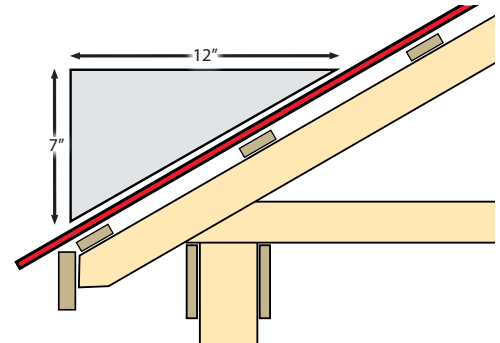




What is Slope?

Roof Slope measures how many inches the roof rises vertically every 12 inches horizontally.

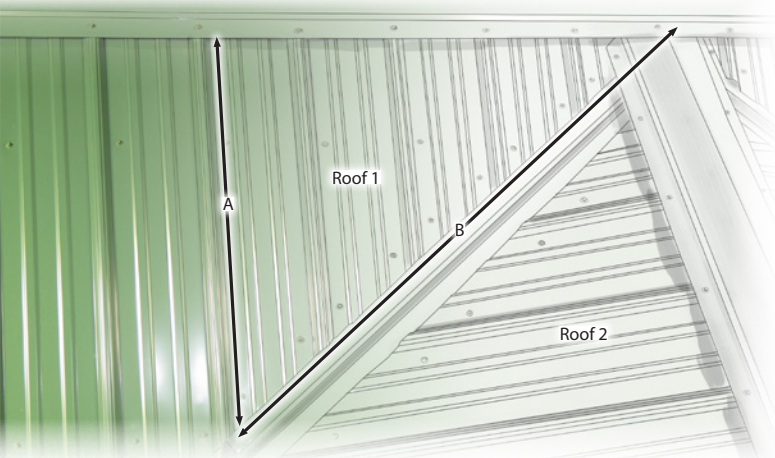
Example: If a roof rises 7 inches vertically every 12 inches horizontally, we would say the roof has a slope of 7/12.



Slope Factor Chart

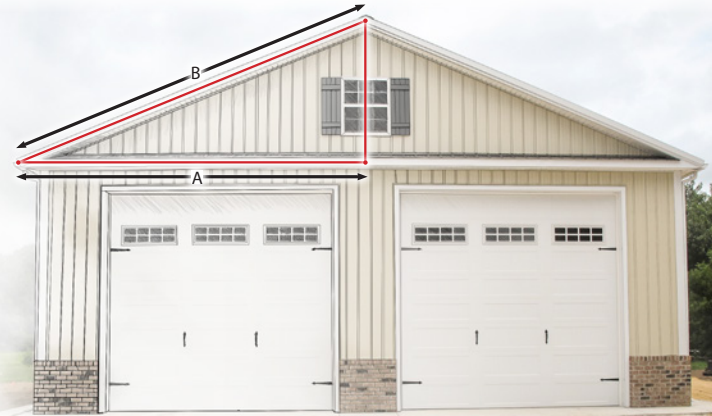
Roof Slope	1/12	2/12	3/12	4/12	5/12	6/12	7/12	8/12	9/12	10/12	11/12	12/12
Slope Factor	1.0035	1.0138	1.0308	1.0541	1.0833	1.1180	1.1577	1.2019	1.2500	1.3017	1.3566	1.4142
Valley & Hip Factor	1.4167	1.4240	1.4362	1.4530	1.4743	1.5000	1.5298	1.5635	1.6008	1.6415	1.6853	1.7320

Valley Calculation



$$(A) \times (\text{Valley \& Hip Factor of Roof 2}) = (B)$$

Slope Calculation



$$(A) \times (\text{Slope Factor}) = (B)$$