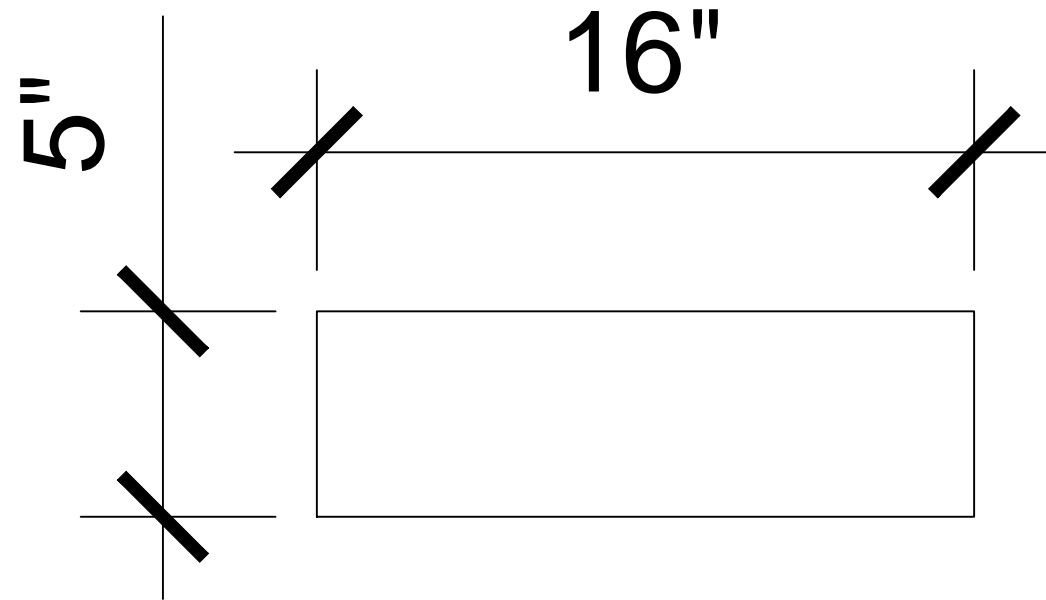


**TOP VIEW**



**SIDE VIEW**

General Notes

**Specifications:**

8,000 PSI Concrete  
@ 28 days.

No.	Revision/Issue	Date

Firm Name and Address  
 Keystone Concrete Products Inc  
 477 E Farmersville Rd  
 New Holland PA 17557  
 717-355-2361 Phone  
 717-355-9548 Fax

Project Name and Address  
**16" Concrete footer pads, aka, "Pills"**

By	<b>M.W.M.</b>	Sheet
Date	10-30-2015	
Scale	NTS	