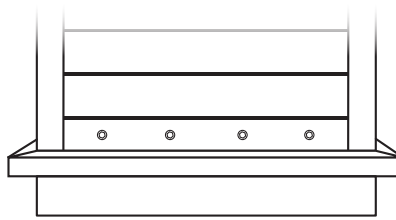


# Cupola Installation Instructions

- ① Align the cupola to the universal base
- ② Attach using the 16 color-matched sheet metal screws included with your 16", 24", or 36" cupolas (48" cupolas come pre-assembled)
- ③ Install 4 screws - spread evenly apart - on each side of the cupola and no less than 2" from the corners



*Do not put screws through corner pieces*

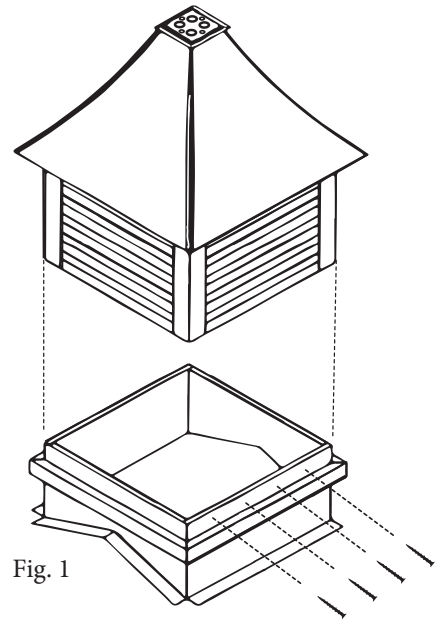


Fig. 1

# Weathervane Installation Instructions

- ① Fill  $\frac{3}{4}$ " in diameter fastening area of cupola roof cap with 2300 Geocel before fastening weathervane flange base
- ② Mount and screw weathervane flange base to cupola roof cap using the 4 black #12 self-tapping screws included with your cupola
- ③ Discard the nut provided with the weathervane and use the  $\frac{1}{4}$ -20 Nylock Locknut provided with the cupola roof cap
- ④ Assemble weathervane mast to flange base as seen in Figure 3. Holding the mast vertically (90°). Firmly tighten nut/bolt

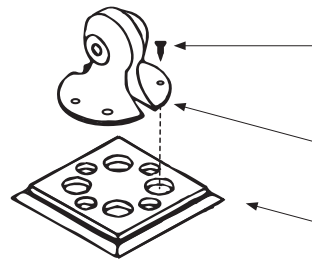
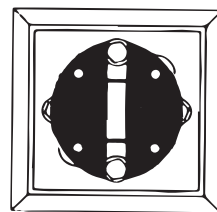


Fig. 2

*Anchor weathervane flange base through aluminum cap using the #12 1-1/2" self-tapping screws included with your cupola*

*Weathervane Flange Base*

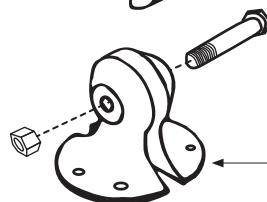
*Fill cupola roof cap with 2300 Geocel caulk*



*Top view assembled*



*Weathervane Mast*



*Weathervane Flange Base*

Fig. 3

Made from 28 ga unless otherwise requested.

## **Fully-assembled Cupolas for Fast Installation**

48" Cupola comes fully-assembled with base attached.

16", 24", and 36" come fully-assembled in two pieces (Cupola and Base) that simply need to be fastened with 4 screws on each side. (Installation Instructions included with each cupola)

- Four standard sizes: 16", 24", 36", & 48" square
- Louvered sides are standard
- Pre-assembled for quick installation
- Windows are optional on 36" and 48" cupolas
- Any base, wall, trim, and roof color combinations
- Vented or solid weathervane base
- Pre-installed heavy gauge base designed to support the cupola without additional framing or flashing, custom made to match to roof pitch

**16" Cupola: 16" x 16" x 25"**

**Weight: 58 lbs**

**24" Cupola: 24" x 24" x 36"**

**Weight: Unknown**

**36" Cupola: 36" x 36" x 48"**

**Weight: 115 lbs**

**48" Cupola: 48" x 48" x 61"**

**Weight: 153 lbs**

Height measured from roof peak to cupola roof peak.