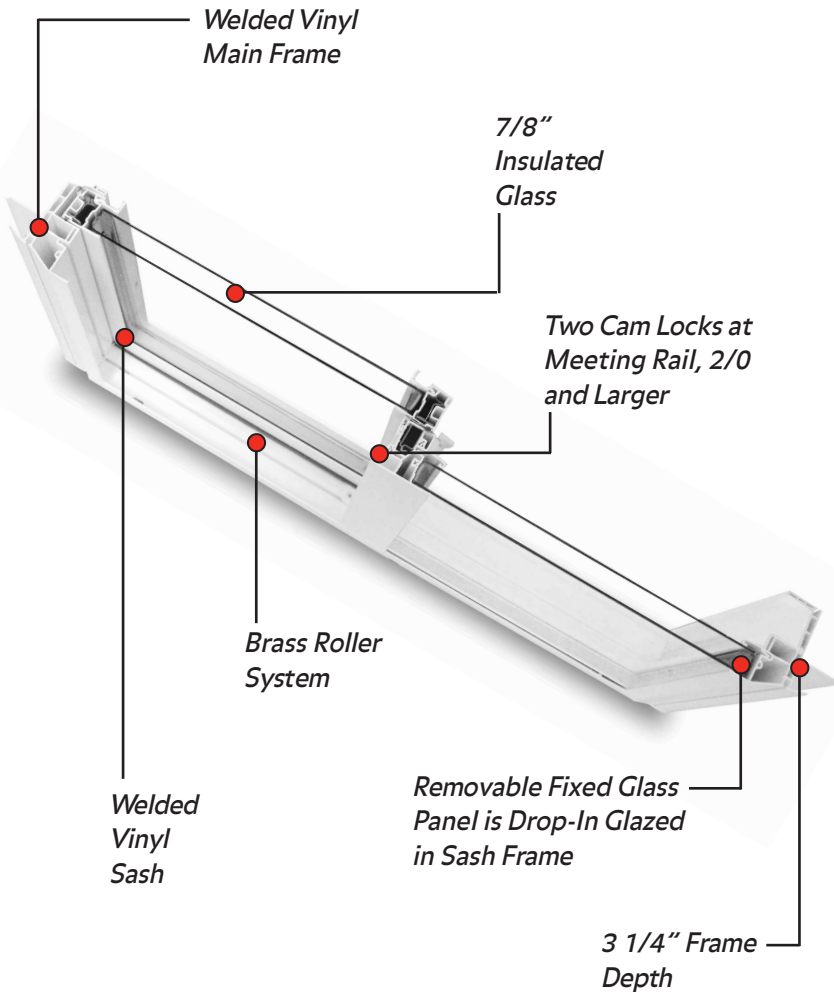




Seeing You Through.

To us, "Seeing You Through" is a philosophy that goes beyond the factory, beyond the warehouse, and right into each home. It's what drives us to manufacture products that are complete, accurate and delivered on time. But most of all, it's why our customers place their trust in us.

**3580 WELDED VINYL SINGLE SLIDING WINDOW**



**Cross Section of  
3580 Sash & Frame**

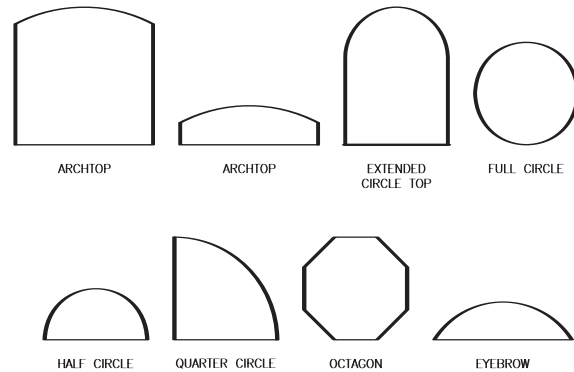
## FEATURES

**All-vinyl construction reduces heat and cold transfer; clean lines complement any style of architecture.**

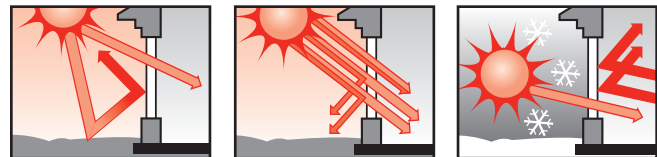
- Available in White or Almond
- Brass Roller System
- Optional Integral J-Channel
- Optional Snap-In Brickmould
- Two Cam Locks at Meeting Rail
- Optional Decorative Grids Between Glass
- Wood or Cellular Extension Jamb Available
- Intercept® Insulating Glass Spacer System
- AAMA and NFRC Labeled

## SPECIALTIES

Arch Tops, Half Circle, Extended Circle Tops, Octagons, Full Circles, and Quarter Circles are available in Stock and Custom Sizing. Eyebrows, Half Arches, Triangles, Parallelograms, and other Polygons are available in Custom Sizing Only. Contact your local distributor for details.



## ENERGY EFFICIENT OPTIONS FROM MI



In addition to standard double-pane glass and Intercept™ Warm edge Spacer System, MI Windows and Doors offers a variety of efficiency-increasing options:

- Low-Emissivity (Low-E<sup>2</sup>) glass
  - ▲ Reduces SHGC (Solar Heat Gain Coefficient), less heat transferred through the sun's rays
  - ▲ Filters out damaging ultraviolet rays
  - ▲ Reduces window condensation and related problems

Individual products may be subject to a variation in performance.

